

# MOXIE™

## USER MANUAL

VERSION 1.0



© 2023 Handi Quilter, Inc. All rights reserved.

The information contained in this document is subject to change without notice. If you find any problems in the manual, please report them to us in writing. This document is not warranted to be error-free. Handi Quilter, Inc. assumes no responsibility or liability for any errors or inaccuracies that may appear in the informational content contained in this manual.






Handi Quilter®, HQ Moxie™ XL, HQ Loft Frame™ and Pro-Stitcher® are either trademarks or registered trademarks of Handi Quilter, Inc. Digital tensioner U.S. Patent No. 8,997,669.

Printed in the United States of America.

Version 1.0 07/2023

# How to Use This Manual

## Special Information

-  **NOTE:** A NOTE indicates important information that helps you make better use of your Handi Quilter product.
-  **IMPORTANT:** An IMPORTANT note provides information that is essential to properly using your Handi Quilter product.
-  **CAUTION:** A CAUTION indicates a potential for causing harm to your quilting machine, the quilt, or to yourself.
-  **ONLINE:** Indicates there is more information online, such as a video.
-  **QUILTING TIP:** Handi Quilter educators share tips to help get you started quilting.

## Finding Information

### What are you looking for?

### Find it here

Warranty Information .....	<i>User manual</i>
Safety Information.....	<i>User manual</i>
Regulatory Information.....	<i>User manual</i>
What's Included with Your Machine.....	<i>User manual</i>
Machine Specifications.....	<i>User manual</i>
Frame Setup Information .....	HQ 8-foot Longarm Quilting Frame <i>installation manual</i>
Machine Setup Information.....	<i>User manual</i>
How to Thread Your Machine .....	<i>Quick reference card</i>
Type of needle to use in machine .....	<i>Quick reference card</i>
Getting Started with Quilting.....	<i>Getting Started videos - HandiQuilter.com/Moxie</i>
Online Videos .....	<a href="https://www.youtube.com/HandiQuilter">https://www.youtube.com/HandiQuilter</a>
Basic Maintenance.....	<i>User manual</i>
Troubleshooting .....	<i>User manual</i>
Tips and Tricks .....	<a href="http://www.HandiQuilter.com/Live">www.HandiQuilter.com/Live</a> <a href="https://www.youtube.com/HandiQuilter">https://www.youtube.com/HandiQuilter</a>
Training and Education Options .....	<a href="http://www.HandiQuilter.com">www.HandiQuilter.com</a> (Education tab)
Customer Care/Technical Support.....	1-877-MY-QUILT (697-8458) or 801-292-7988 <i>Available 8:30 AM to 5:00 PM Mountain Time, Monday to Friday</i> <a href="mailto:HQcares@HandiQuilter.com">HQcares@HandiQuilter.com</a>
Community .....	<i>Forum: <a href="https://support.HandiQuilter.me/hc/en-us/community/topics">https://support.HandiQuilter.me/hc/en-us/community/topics</a></i> <i>Blog: <a href="https://HandiQuilter.com/blog/">https://HandiQuilter.com/blog/</a></i> <i>Instagram: @handiquilter</i> <i>Facebook: Facebook.com/</i>
Non-English versions of this manual (when available) .....	<a href="http://www.HandiQuilter.com/manuals/">www.HandiQuilter.com/manuals/</a>

# Contents

- How to Use This Manual ..... 2**
  - Special Information ..... 2
  - Finding Information..... 2
  
- Congratulations on Your Purchase! ..... 5**
  - What’s Included with Your Machine..... 5
  
- Important Safety Information ..... 6**
  - Save these instructions ..... 7
  - Disclaimer ..... 7
  - Recommended Use and Storage..... 8
  
- About Your Machine ..... 10**
  - Get to Know Your Moxie XL ..... 12
    - Left Side View (picture shown with optional rear handlebars)..... 12*
    - Right Side View (picture shown without handlebars) ..... 13*
    - Rear View..... 14*
  - Carriage..... 15
  - Power Cord..... 16
  - Front Handlebars ..... 16
  - Touchscreen Displays ..... 17
  - Spool Pin and Thread Mast ..... 18
  - Optional Accessories..... 19
    - Quilt from the Back Kit..... 19*
    - Steady-Fit Ruler Base™ ..... 20*
    - Rear Laser Light ..... 21*
    - Horizontal Spool Pin ..... 22*
    - Handi Feet ..... 22*
  
- Operating Instructions ..... 23**
  - Power Switch ..... 23
  - Lighting..... 23
  - Machine Needle ..... 23
  - Hopping Feet..... 25
  - Bobbin and Bobbin Tension..... 26

**Quilting with the Moxie XL.....28**

Preparing to Quilt .....28

Threading the Machine .....30

Top Tension.....32

*Threading the Needle with the Needle Threader* ..... 32

*Tension Quick Start Guide*..... 33

Free-Motion Quilting .....34

**Moxie XL Screen Navigation .....35**

Home Screen.....35

Main Menu.....36

*Lights* ..... 36

*Stitching* .....37

*Overspeed Alarm* .....37

*Information* ..... 38

*Diagnostics*..... 38

*Updates*..... 41

Stitch Modes .....42

*Cruise Mode*.....43

*Precision Mode*.....44

*Manual Mode* .....44

Alerts.....45

**Machine Maintenance .....48**

Clean and Oil Your Moxie XL.....48

Maintenance Schedule .....49

**Troubleshooting .....50**

**Appendix 1.....56**

**HQ Quilting Machine Limited Warranty .....57**

**Moxie XL New Owner and Training Checklist and Certificate .....63**

# Congratulations on Your Purchase!

You haven't just purchased a quilting machine, you've joined the Handi Quilter family and we welcome you. You have acquired the most advanced quilting machine available in today's market.

Handi Quilter is committed to innovation, reliability, customer service, and education. Our machines are *Designed by a Quilter, for Quilters*® and we are committed to your quilting success. With that in mind, we invite you to bookmark our website: [www.handiquilter.com](http://www.handiquilter.com) and invite you to visit to learn more about the art of quilting.

We've posted videos on subjects as diverse as *Oiling Your Machine* to *Loading a Quilt* to *Making Perfect Feathers*. Remember, if you ever have questions, your local HQ authorized retailer can help you. If the retailer is not available, contact Handi Quilter directly at [HQCares@HandiQuilter.com](mailto:HQCares@HandiQuilter.com) or by calling us, Monday through Friday, 8:30 AM to 5:00 PM Mountain Time (1-877-697-8458 or 1-801-292-7988).

- ➔ **IMPORTANT:** The packaging materials are designed to prevent the machine from being damaged. Keep the carton and packing materials in case you need to bring this machine to the dealer, send it for repair, or otherwise transport it. If you don't pack the machine properly or if you don't use the correct packaging materials, the machine could be damaged. Handi Quilter is not liable for damage that occurs during return shipping

🔗 **ONLINE:** Introducing the Moxie XL, watch the video at:  
<https://www.youtube.com/watch?v=lb9MEK7bkLo&t=0s>

## What's Included with Your Machine

- Bobbins (5) one installed in bobbin case
- Bobbin case
- Needle (134) size 100/16 (pack of 10)
- Needle (134) size 110/18 (pack of 10)
- Spool pin and thread mast
- EZ Pen oiler
- Power cord (locking)
- Screwdriver
- Wrench, 8mm/10mm combined
- Needle threader
- 2.5, 3 and 4mm L hex wrench
- Replacement O-ring
- Moxie XL How to Quilt Kit
- Moxie Quick Reference Card
- Ruler Foot (comes installed on machine)
- Open-toe Foot
- HQ Longarm Quilting Pins
- Moxie decals
- Moxie XL Bobbin Winder
- Lint brush
- Moxie XL Quilting Machine (including carriage, front handlebars)

# Important Safety Information

This device complies with Part 15 of the FCC Rules. Operation is subject to the following two conditions: (1) This device may not cause harmful interference, and (2) this device must accept any interference received, including interference that may cause undesired operation. See the full Declaration of Conformity in the Appendix.

- **IMPORTANT:** Do not operate your Moxie XL quilting machine until you have completely read the information contained in this manual. Please keep all packaging and order information for warranty purposes.

## IMPORTANT SAFETY INSTRUCTIONS

**Read all instructions before using this machine.**

When using this machine, basic safety precautions should always be followed.

**DANGER** — To reduce the risk of electric shock:

- A quilting machine should never be left unattended when plugged in. Always unplug the machine from the electrical outlet immediately after using and before cleaning.

**DANGER** — Pour réduire le risque de choc électrique :

- Une machine à quilter ne doit jamais être laissée sans surveillance lorsqu'elle est branchée. Débranchez toujours la machine de la prise électrique immédiatement après usage et avant de la nettoyer.

**WARNING** — To reduce the risk of burns, fire, electric shock, or injury to persons:

- It is recommended to have two people when lifting your Moxie XL. Always lift from the throat of the machine, not from the handlebars or the needle bar area.
- Always unplug the Moxie XL from the electrical outlet when performing any maintenance, changing the needle, removing thread locks, or when left unattended.
- Do not unplug by pulling on the cord. To unplug, grasp the plug, not the cord.
- Keep fingers away from all moving parts. Use caution around the needle.
- Change the needle often. Do not use bent or dull needles. “Every quilt deserves a new needle” is our motto.
- Switch the machine to the off (or symbol O), position to turn it off when making any adjustments in the needle area, such as threading the needle, changing the needle, changing the bobbin, or changing the hopping foot.
- Never drop or insert foreign objects into any opening.
- The Moxie XL should only be used indoors, away from moisture.

- The Moxie XL should not be stored or used in extreme temperatures.
- Use the Moxie XL only for its intended purpose as described in this manual.
- Connect this appliance to a properly grounded outlet only. See Grounding Instructions.
- To disconnect from the wall outlet, push the switch to the off position. Then remove the plug from outlet, pulling from the plug, not the cord. Never operate the Moxie XL if the cord is damaged or not working correctly. If a mechanical or electrical problem is encountered, return the Moxie XL to the nearest authorized Handi Quilter retailer or to Handi Quilter for examination, repair, electrical or mechanical adjustment.
- It is not recommended that the Moxie XL quilting machine be used with any machine quilting frame other than those recommended by Handi Quilter.
- Use this quilting machine only for its intended purpose as described in this manual. Use only attachments recommended by Handi Quilter as contained in this manual.
- Never operate the machine with any ventilation openings blocked. Keep openings of the machine free from the accumulation of lint, dust, and loose fabric.
- Do not operate where aerosol products are being used or where oxygen is being administered.
- Do not move the machine across the fabric at an excessive speed while stitching. It may deflect the needle enough to cause it to break.
- Use only needles designed for free motion quilting and recommended by Handi Quilter for this machine. Use the specific needle system recommended by Handi Quilter.
- Children should not play with the machine. Close attention and supervision is necessary when this machine is used by or near children.
- This sewing machine may be used by children age 8 years and above and persons with reduced physical, sensory, or mental capabilities or lack of experience and knowledge if they have been given supervision and instruction concerning use of the machine in a safe way and understand the hazards involved.
- Cleaning and user maintenance should not be performed by children without supervision.

## **Save these instructions**

This machine is intended for household use. These are the original instructions.

## **Disclaimer**

Handi Quilter and its Retailers are in no way legally responsible or liable for damage to the Moxie XL when used improperly or not in accordance with the guidelines stated in this manual or when used on machine quilting frames not recommended by Handi Quilter.

***When using an electrical appliance, basic safety precautions should always be followed, including the following:***

1. Carefully watch the needle when sewing. Do not touch the hand wheel, take up lever, needle, or other moving parts while the machine is running.
2. Turn the machine off and unplug the cord in the following cases:
  - when you have finished using the machine
  - when you replace or remove the needle or any other part
  - when you check or clean the machine
  - when you leave the machine unattended
3. Do not use extension cords. Connect the machine directly to the wall outlet or to a surge protector or UPS (Uninterrupted Power Source) that connects directly to the wall outlet.

### ***To increase the life of your machine***

1. Do not store your Moxie XL in areas exposed to direct sunlight or high humidity. Never use or store the machine near a heater, an iron, a halogen lamp or other hot items.
2. Use only neutral soaps or detergents to clean the machine. Never use benzene, solvents or scouring powders. They can damage the case and the machine. A damp microfiber cloth is a good choice.
3. Do not drop or bump the machine.
4. Always consult the manual to replace or fix the hopping foot, needle or any other part of the machine. If necessary, contact an authorized Handi Quilter retailer or Handi Quilter technical support. 877-697-8458.

## **Recommended Use and Storage**

1. It is recommended that our products be operated within in a temperature range of 60°F to 90°F.
2. Store products in a climate-controlled environment with the following provisions:
  - Store machine in the original packaging, which contains the internal supports designed specifically to maintain and protect the machine during transport or storage.
  - Detach cables and accessories before packing.
  - To best protect your electronics, store them in the original packaging, especially any that arrived in antistatic containers.
3. Storage or use in an environment other than what is recommended may result in
  - Damaging condensation
  - Rust
  - Premature wear



- Overheating
  - Poor performance
  - Shortened battery life
4. The tablet warranty, if applicable, is VOID if the tablet is stored in temperatures below 32°F or above 110°F. Do not leave the tablet in a vehicle or other enclosed space where the temperature may exceed 110°F.
  5. If the product is stored at a temperature above or below the recommended operating range, allow the machine to acclimate to the operating environment before use.

### ***To repair or adjust the machine***

If the machine is not functioning properly or needs adjustment, first check the troubleshooting chart in the appendix to inspect and adjust the machine yourself.

For more product information and updates, visit our website at [www.HandiQuilter.com](http://www.HandiQuilter.com).

The contents of this manual and product specifications are subject to change without prior notice.

Check for updated manuals at [www.handiquilter.com/manuals/](http://www.handiquilter.com/manuals/).

California Residents:

**CALIFORNIA PROPOSITION 65 WARNING  
PROPOSITION 65 DE L'ETAT DE CALIFORNIE  
CALIFORNIA - PROPUESTA DE LEY NÚM. 65**

 **WARNING:** Cancer and Reproductive Harm - [www.P65Warning.ca.gov](http://www.P65Warning.ca.gov)

 **AVERTISSEMENT:** Cancer et dommages à reproduction - [www.P65Warning.ca.gov](http://www.P65Warning.ca.gov)

 **ADVERTENCIA:** Cáncer y daño reproductivo - [www.P65Warning.ca.gov](http://www.P65Warning.ca.gov)

# About Your Machine

## General Specifications

The Moxie XL uses high-tech electronics and an innovative user interface to offer greater functionality and ease of operation to home quilters than ever before conceived in the quilting industry. The Moxie XL quilting machine is a high quality machine that incorporates robust design features and is easy to maintain.

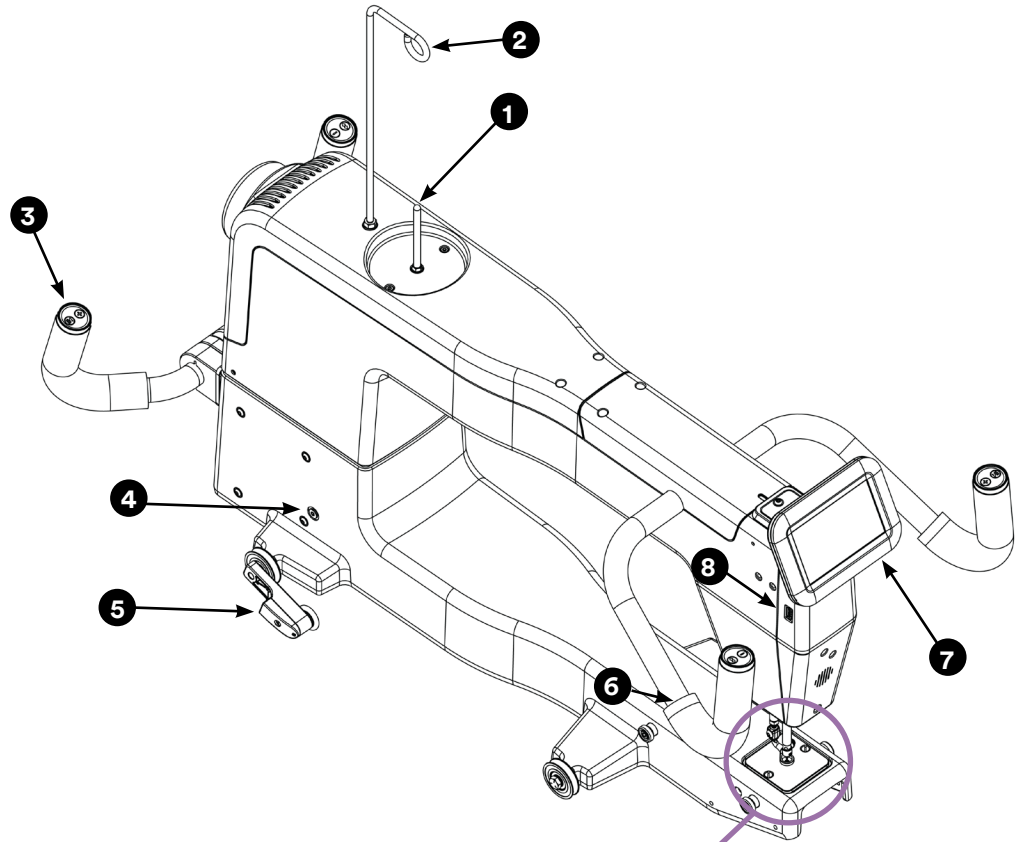
Sewing Opening Dimensions	(210 mm X 383 mm) 8.25 inches X 18.00 inches
Sewing Speed	Manual Mode: from 25 to 2,100 stitches per minute Regulated Mode: from 0 stitches per minute to full speed Cruise Speed 50 to 800 stitches per minute.
Stitches Per Inch	4 stitches to 18 stitches per inch in regulated mode
Needle System	134
Needle Sizes (recommended)	From 80/12 to 130/21
Hook System	Rotary, Horizontal Axis, M-class bobbin
Bobbin Type	Aluminum, Class M
Bobbin Case	Type MF
Motor Type	Brushless DC, servo controlled
Needle Positioning	Up and down, walking stitch
Electrical Power	Maximum 200 watts, 50-60Hz, 100-240 VAC Average 0.9 ampere at 115 VAC, 60Hz  This machine conforms to UL and international safety standards for sewing machines and US and international laws for electromagnetic compliance.
Display	7-inch color touchscreen

Sew Foot Stroke/Lift	5 mm
Needle Bar Stroke	35.3 mm
Take-Up Stroke	73 mm
Lubrication, main components	Kluber Lube, permanent
Lubrication of hook	Velocite 10, Texaco 22

# Get to Know Your Moxie XL

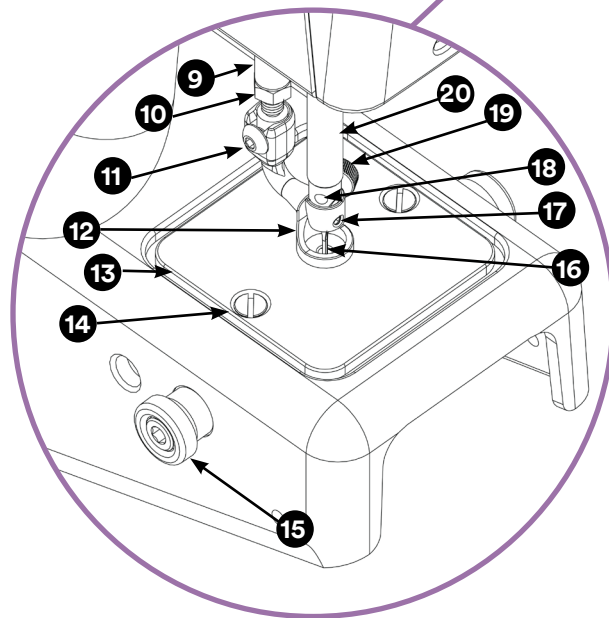
*Left Side View (picture shown with optional rear handlebars)*

1. Spool pin
2. Thread mast
3. Rear handlebars (optional accessory)
4. Machine encoder connector
5. Machine encoder
6. Front handlebars
7. Front display
8. USB port



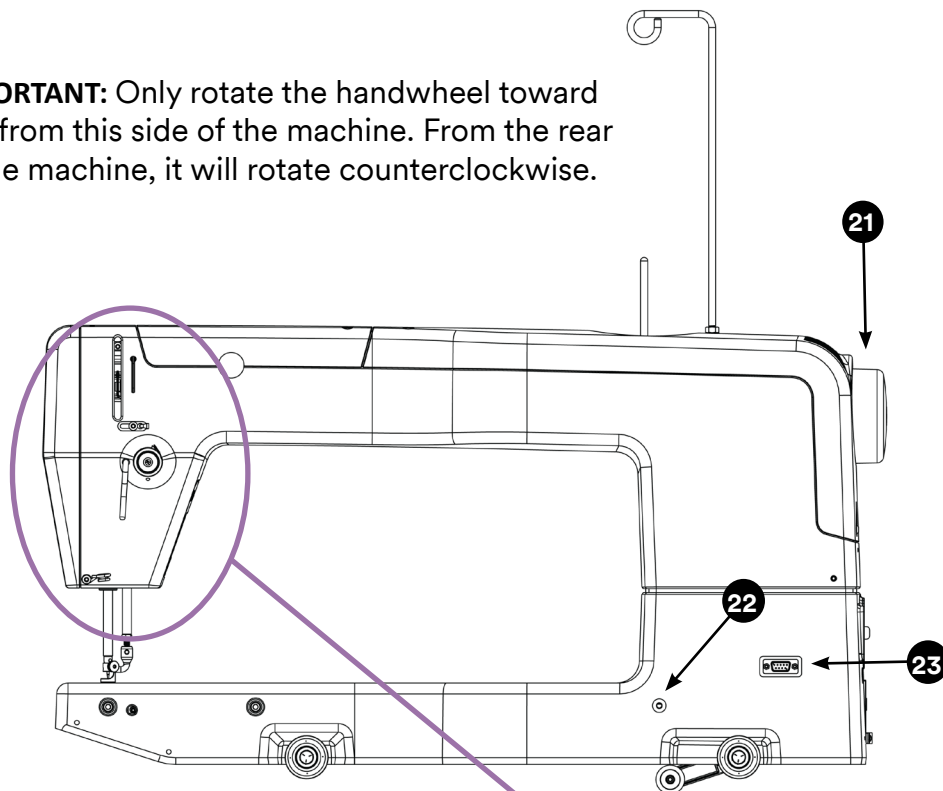
## Close-up view of needle area

9. Presser bar
10. Presser bar jam nut
11. Hopping foot mounting screw
12. Closed-toe foot
13. Needle plate
14. Needle plate screw
15. Ruler base post (optional accessory)
16. Needle
17. Needle bar thread guide
18. Needle stop sight hole
19. Needle bar clamp screw
20. Needle bar



## Right Side View (picture shown without handlebars)

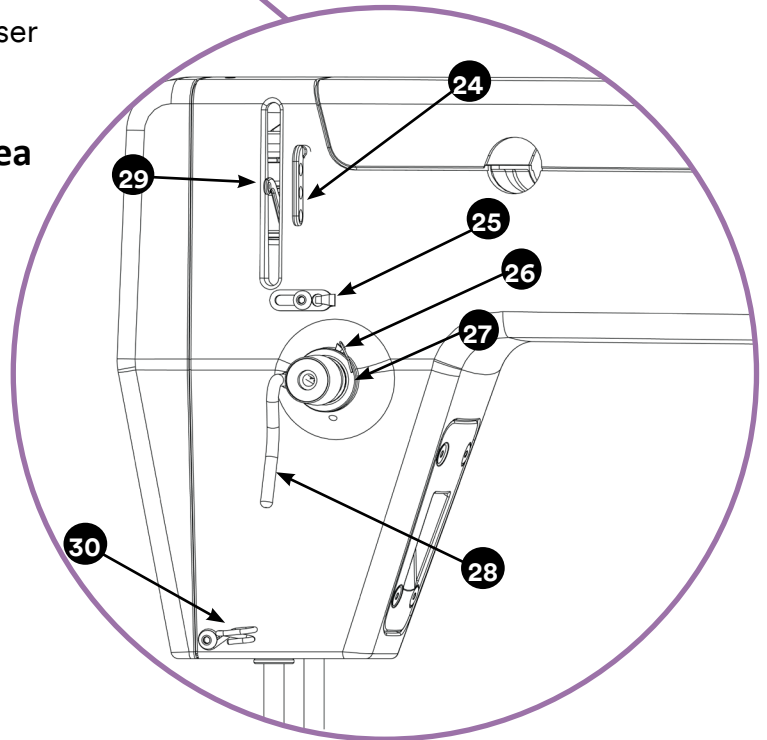
- ➡ **IMPORTANT:** Only rotate the handwheel toward you from this side of the machine. From the rear of the machine, it will rotate counterclockwise.



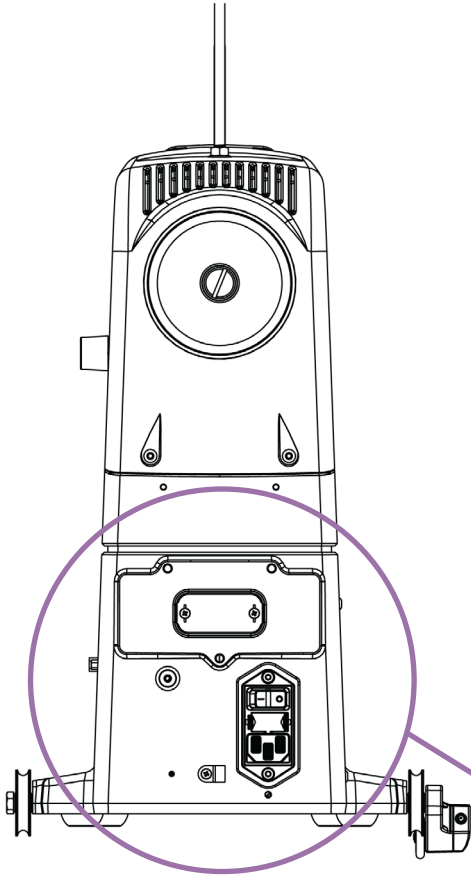
- 21. Handwheel
- 22. Threaded hole for the optional laser pin
- 23. 9-pin connection plug for the optional laser

### Close-up view of tension assembly area

- 24. Three-hole thread guide
- 25. Thread guide
- 26. Take-up spring
- 27. Top tension assembly
- 28. Thread stirrup
- 29. Take-up lever
- 30. Lower thread guide

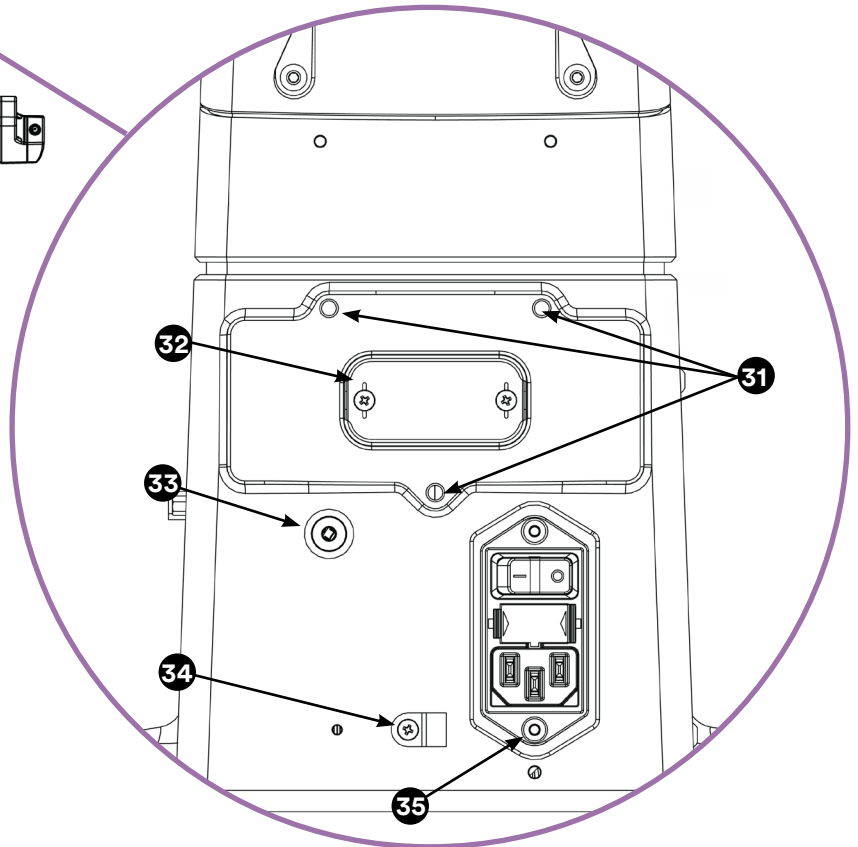


## Rear View



### Back View

- 31. Rear handlebar mounting holes (3)
- 32. Rear handlebar connection cover
- 33. Carriage encoder connection jack
- 34. Carriage encoder cable clip
- 35. Power input module with fuse holder



# Installation and Setup

## Carriage

You should have your frame set up and ready to go. Refer to the frame manual for detailed instructions about setting up the frame.

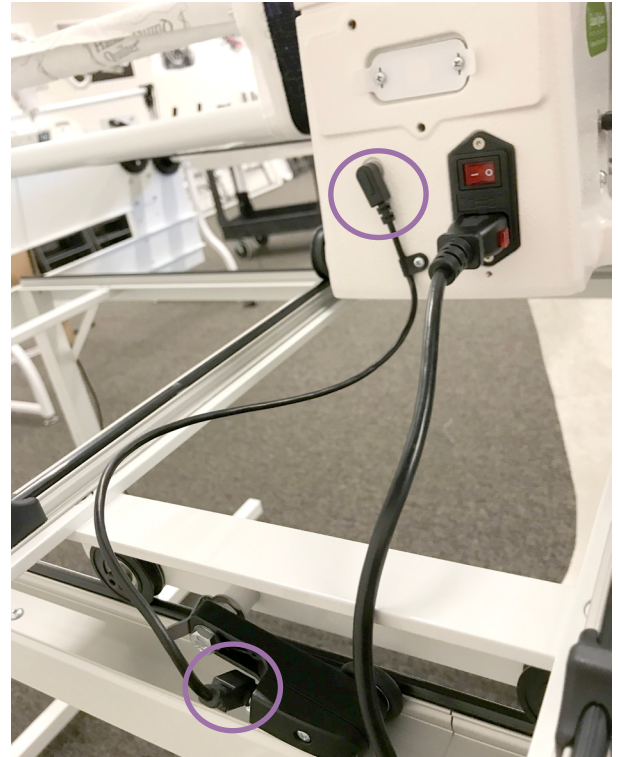
📺 **ONLINE:** To see how to imount the Moxie XL onto the carriage, watch the video at: <https://www.youtube.com/watch?v=lb9MEK7bkLo&t=82s>

### To install the carriage and machine on the frame

1. Place the carriage on the tracks, ensuring that the stitch regulator faces the back of the frame.
2. Place the machine on the carriage.
  - △ **CAUTION:** It is suggested to have two people when lifting the Moxie. Always lift from the throat of the machine, not from the handlebars, needle bar area or needle bar.
3. At the back of the machine, plug the *carriage* encoder cable into the round jack on the back of the machine (to the left of the power cord). Plug the other end into the encoder.
4. Secure the carriage encoder cable through the clip at the back of the machine. Check that there is no strain on the cable at the plug into the machine.
5. Plug the *machine* encoder cable into the round jack on the right side of the machine (as seen from the rear of the machine). Plug the other end into the encoder.

➡ **IMPORTANT:** If you ever need to remove the machine from the carriage, disconnect the carriage encoder cable from the carriage encoder. Failure to unplug the cable when removing the machine from the carriage could result in damage to the cable or carriage encoder.

△ **CAUTION:** Never plug or unplug the encoder cables or any other cables while the quilting machine is on, as this could potentially cause electrical damage to the machine or encoders.




# Power Cord

## To install the power cord

- Insert the plug into the power connector on the rear of the machine. Plug the three-prong plug end into your power source. **Do not turn on the machine until the handlebars are installed.**

## To disconnect the power cord

- First pull out on the red buttons on the sides of the plug and then pull the plug out of the machine.


 **NOTE:** Make sure that the machine is off before plugging into a power source. The main power switch should be in the O (off) position.



# Front Handlebars

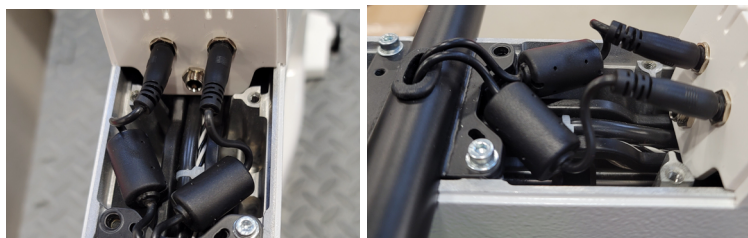
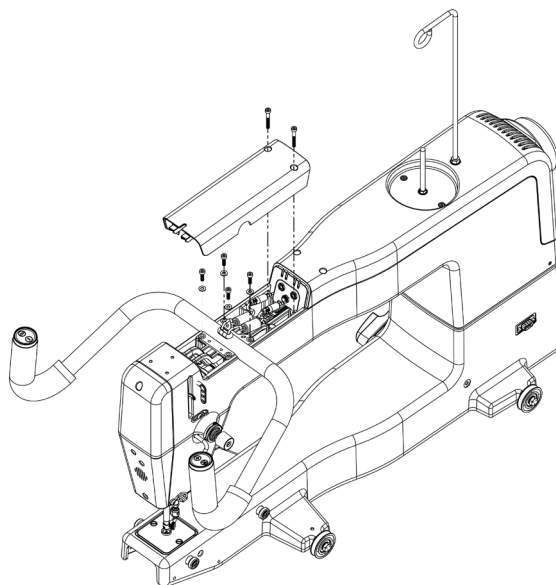
The Moxie XL comes with handlebars for the front of the machine. Optional rear handlebars are available for quilting with pantographs and Groovy or pattern boards. The front handlebars are used for most other quilting activities.

- △ **CAUTION:** To prevent any electrical damage to the handlebars, always turn off all power to the machine when connecting or disconnecting the handlebars.

 **ONLINE:** To see how to installing the Moxie XL handlebars, watch the video at: <https://www.youtube.com/watch?v=lb9MEK7bkLo&t=179s>

## To install the front handlebars

1. Remove the two screws in the front top cover with a 3mm hex tool. Remove cover by pulling up on the rear portion then sliding tabs out in the front.
2. Place four M4x10mm screws with washers down through the handlebar into the top of the machine and tighten them firmly with a 3mm hex tool.
3. Plug the two handlebar cable plugs into the two jacks in the back top (left plug to left jack and right to right). The right handlebar cable is labeled.
4. Push ferrites down into the space so that the cover will fit back into place.
5. Replace the front top cover by sliding tabs at the front into machine and angling the back of the cover down into place. Tighten the screws with a 3mm hex tool. Do not over tighten.





## Touchscreen Displays

The Moxie XL comes with one 7-inch touchscreen front display. If you have purchased the optional Quilt from the Back Kit (see the following *Optional Accessories* section), a second identical display will be included.

### To install the front display

1. Locate the three screws for the touchscreen bracket. Line up the touchscreen bracket with the holes on top of the Moxie XL. Insert and tighten the screws with the included hex wrench.
  2. For the front display, locate the four 4-40 screws and a small Phillips screwdriver (not provided). You'll also need the display with the hinges attached to the bottom row of connectors on the back of the display.
  3. Insert the 4-40 screws into the openings on the display's metal hinge. Align the screws in the hinge with the holes on the display bracket. Use the small Phillips screwdriver to fully tighten the screws.
  4. Plug the USB mini B cable (with 90° connection), coming out of the top front cover, into the bottom of the display. This cable provides power and signal connection from the machine to the display. The USB connection on the bottom right of the display is used for updating the display and the machine software.
- **IMPORTANT:** Note the other connections on the bottom of the display for power and audio are not functional.

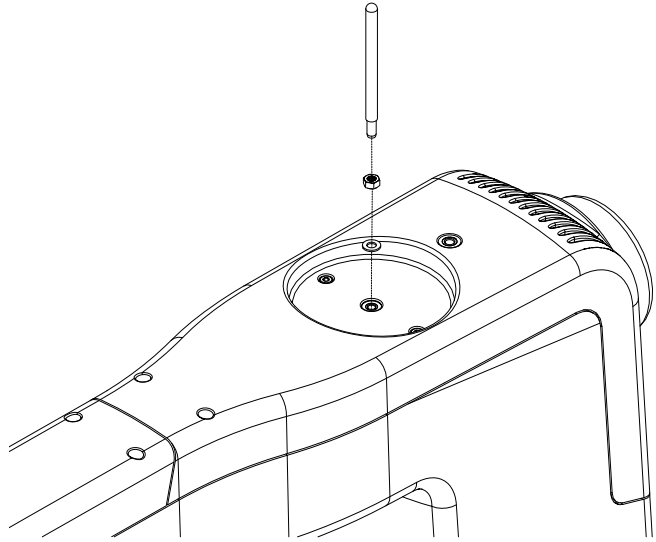
- **IMPORTANT:** If you have Pro-Stitcher Lite, you will install the Pro-Stitcher Lite tablet computer to the top of the machine, and the touchscreen display will still be attached. See the instructions that come with Pro-Stitcher for more information about installing the tablet computer.



# Spool Pin and Thread Mast

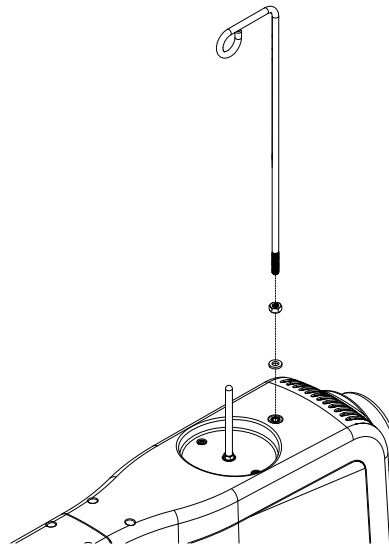
## *To install the spool pin on the machine*

1. You'll need the spool pin with nut and washer.
2. Remove the nut and washer.
3. Place the washer against the top of the machine cover.
4. Screw the nut onto the spool pin all the way.
5. Place the spool pin through the washer and into the top cover and tighten it all the way.
6. Hold the spool pin firmly and tighten the nut with the 8mm wrench (provided). Do not over tighten.



## *To install the thread mast onto the machine*

1. You'll need the thread mast with washer and nut.
2. Remove the nut and washer.
3. Place the washer against the top of the machine cover.
4. Screw the nut onto the thread mast all the way.
5. Place the thread mast through the washer and into the top cover and tighten it down to the nut. Turn until the loop of the mast is directly over the spool pin.
6. Hold the thread mast firmly and tighten the nut with a 10mm wrench (provided). Do not over tighten.




## Machine Head USB Port (built-in)

The USB port is a full USB port that can be used to power a USB device, update the machine software, or communicate with accessories. It is located on the side of the machine to the left of the display at the front.

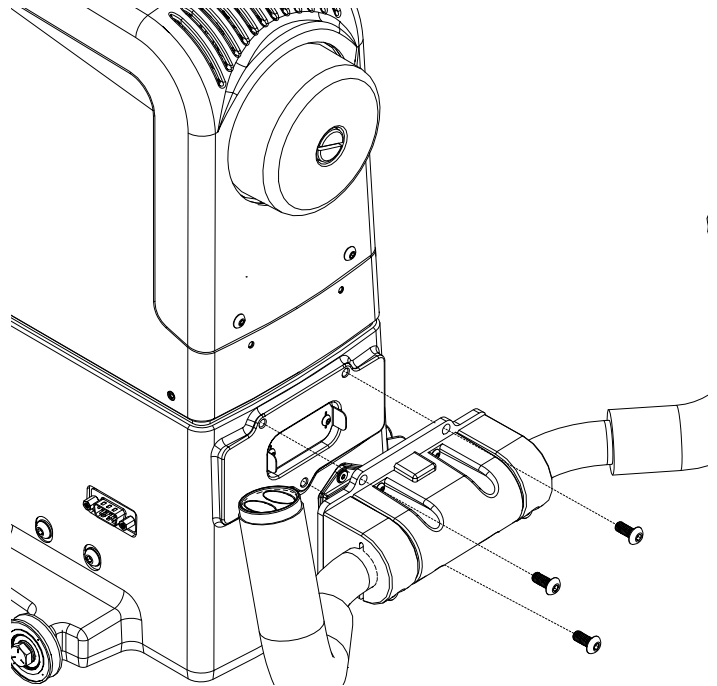
# Optional Accessories

## Quilt from the Back Kit

### To install the rear handlebar

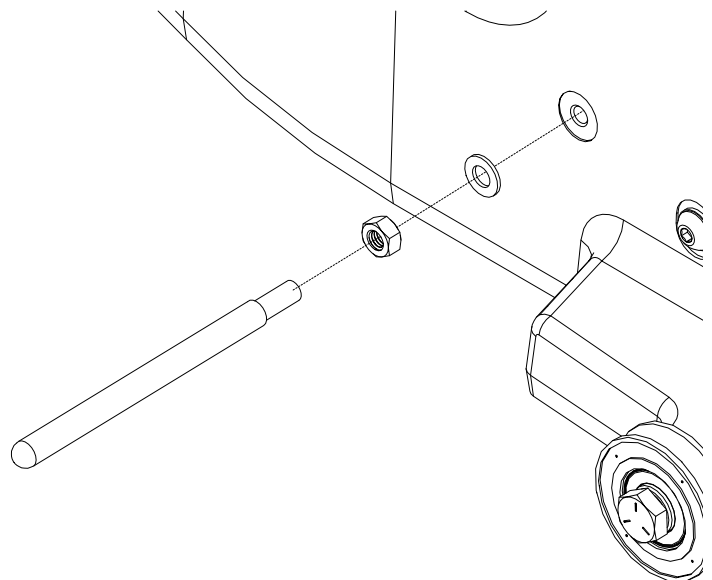
 **NOTE:** Make sure that the machine is off before installing the rear handlebar. The main power switch must be in the O (off) position.

1. Slightly loosen the two Philips screws on the rear handlebar connection cover with a #1 Phillips screwdriver (not provided). Do NOT remove the screws.
2. Pull off the plastic cover. It protects the rear handlebar connection. Do NOT remove the screws.
3. Re-tighten the two screws. They hold the connection board to the machine.
4. You will need three M5 x 12 SKB ZN screws for the rear handlebars (included in the Quilt from the Back Kit) and a 3mm hex wrench.
5. Align the three holes in the handlebars with the holes on the back of the machine.
6. Attach with the three screws. Tighten securely.



### To install the laser pin

1. You will need the laser pin, washer and nut.
2. Screw the nut all the way onto the laser pin.
3. Slide the washer onto the laser pin threads and screw the laser pin all the way into the side of the machine.
4. While holding the laser pin, firmly tighten the nut with the 8mm wrench (provided).



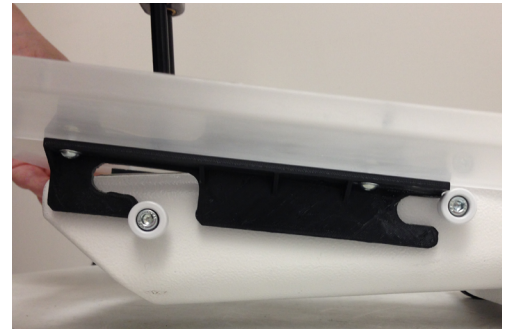
## Steady-Fit Ruler Base™


If you plan to use rulers and templates with your Moxie, you will need to attach the ruler base to give you a large, stable surface on which to rest the ruler or template. The ruler base, rulers, and templates are optional accessories. For more information, visit <http://www.handiquilter.com>.

 **ONLINE:** To see how to install the horizontal spool pin, watch the video at: <https://www.youtube.com/watch?v=lb9MEK7bkLo&t=3045s>

### To install the ruler base

1. The Ruler Base Kit comes with four posts for the ruler base that you will attach to the machine using the 4 screws.
2. Guide the wide part of the latches back until they are between the front and rear ruler base posts. Then lower the ruler base down between the posts.
3. Push the ruler base back until it is touching the machine or snaps into place.



 **NOTE:** When the wide part of the latch is down between the two posts there will still be a gap between the ruler base opening and the front of the machine. Push back on the ruler base to secure it into place

### To remove the ruler base

- Grasp the front corners of the ruler base. Pull the ruler base towards you and then up and away from the machine.


### To use rulers and templates with your quilting machine

△ **CAUTION:** Use only 1/4-inch thick rulers with your machine. Do not use rotary-cutting rulers; they are too thin and can easily slip under the hopping foot. Always use the Steady-Fit Ruler Base™ to stabilize the ruler. The Handi Sure Foot will give an extra measure of security while using rulers.

Keep the ruler flat and quilt only where the ruler is held securely. Avoid losing control by walking your hand along the ruler or stopping and repositioning your hand and/or the ruler.

- Quilting with rulers requires gentle three-point pressure as follows:
  1. Position and press the ruler against any side of the hopping foot.
  2. Press machine against ruler.
  3. Press ruler against ruler base with only as much force as is necessary to keep the ruler from slipping. Too much pressure will prevent the machine from moving.

The quilting line will be approximately 1/4 inch away from the ruler edge. The markings on all Handi Quilter rulers take this into consideration.

 **NOTE:** Set the machine to stop in the needle-down position to keep the machine from moving while making adjustments with the ruler.

## Rear Laser Light

The optional laser light (for use with pantographs) is installed on a mounting post. The post is threaded into a hole on the machine casting. The hole is found towards the back of the machine on the right side about 2 inches in front of the rear wheel; see section on *Quilt From The Back Kit*.

The laser projects a straight laser beam visible as a dot on surfaces it hits. The laser dot is used as a guide enabling you to use printed pantograph designs and stitch the pattern onto a quilt by tracing the design with the laser dot.

The laser attaches to a mounting post which attaches to the machine. The laser stylus can move in any direction by rotating the clamp on the post and pivoting the laser up or down. To make an adjustment, simply loosen the black thumbscrews, position, and re-tighten.

- **IMPORTANT:** A label is attached to the laser's case and shows an arrow which indicates the direction of the laser light when energized. The label must remain in place on the laser. Removing the label voids the laser's warranty.

## Laser Operation and Safety

When using the laser stylus, observe the following basic safety precautions.


- Never shine directly into the eyes.
  - The laser stylus should never be left on and unattended.
  - Do not use the laser stylus as a toy.
  - Pay close attention when the laser stylus is being used by or near children or pets.
  - Use the laser stylus only for its intended use as described in this manual.
- △ **CAUTION:** Use of controls or adjustments or performance of procedures other than those specified herein may result in hazardous radiation exposure.

Unplug the laser from the back of the machine to turn it off. Be sure the laser is attached to the machine and pointed downward toward the table before connecting it to the port. Never point it in a direction that would project the beam into someone's eyes. If the laser should stop working, ensure the plug is firmly seated into the Moxie laser port.



## Laser Focus and Image Size

Focus the laser by turning the threaded housing surrounding the lens clockwise or counterclockwise. The laser image can be adjusted to project a bigger or smaller dot, or focal size. The direction of rotation needed is determined by the distance of the laser from the pantograph surface. Experiment by rotating the threaded end to achieve your desired focal size.

 **NOTE:** If you can't see the threaded housing, the lens may be threaded too far into the laser body. You will need to use a large slotted screwdriver to turn it counter clockwise until the housing is visible. You can then rotate it with your fingertips to bring the light into focus. Be very careful to not scratch the lens when using the screwdriver.

## Horizontal Spool Pin

 **ONLINE:** To see how to install the horizontal spool pin, watch the video at: <https://www.youtube.com/watch?v=lb9MEK7bkLo&t=3045s>

The optional Horizontal Spool Pin allows you to use threads that need to feed from the side of the spool horizontally. Examples would be straight-wound spools or mylar holographic threads.

The kit comes with 3 parts; a threaded post, a pin and a clamp. The Moxie XL does not require the threaded post, so set that aside.

1. Loosen thumbscrew on clamp and attach to the top of the Moxie spool pin through the opening closest to the thumbscrew.
2. Place the pin through the other opening and position it so that it is horizontal, at a 90-degree angle to the Moxie XL spool pin and pointing out to the right of the machine.
3. Tighten the thumbscrew.
4. Place spool of thread on the horizontal spool pin and thread machine normally.

## Handi Feet

Handi Quilter offers several optional accessory feet that can be used for everyday quilting as well as special techniques. Explore the possibilities with these videos.

 **ONLINE:** For more information about changing the feet, watch the video at: <https://www.youtube.com/watch?v=lb9MEK7bkLo&t=720s>

 **ONLINE:** For more information about optional HQ Handi Feet, watch the HQ Live video HQ Live - Mary Beth Krapil at: <https://youtube/AEREeMa9wDg>.

# Operating Instructions

## Power Switch

The main power switch is at the rear of the machine.

Turn on the main power switch first by toggling the switch from the O position (off) to the - position (on).

- **IMPORTANT:** When you are finished quilting, if you will not be using the machine for more than a day, we recommend you turn off the main power switch and unplug the power cord from the power source.
- **IMPORTANT:** Refer to the safety instructions.

## Lighting

The Moxie includes bright LED lights above the needle to make it easy for you to see your quilting. You can adjust the intensity of the lights to suit your environment.

## Machine Needle

Use only the recommended needle system for your Moxie XL quilting machine. The machine is timed to use this specific type of needle (System 134) which is designed to work with the high quilting speeds and multi-directional stitching the Moxie XL offers.

The Moxie XL uses the **134 needle system**. Note that the needle has a round shank rather than a shank with a flat side, like home sewing machines use.

If you use the recommended needle, you will experience:

- Fewer skipped stitches
  - Less needle breakage
  - Less thread breakage, especially at high speeds
  - Less thread splicing or shredding
  - Optimum fabric protection
- **IMPORTANT:** Change the needle regularly. We recommend you use a new needle for each new quilt and any time the needle becomes bent, dull, or burred.
- △ **CAUTION:** A damaged needle may result in poor stitching quality or may even damage the machine or your quilt.

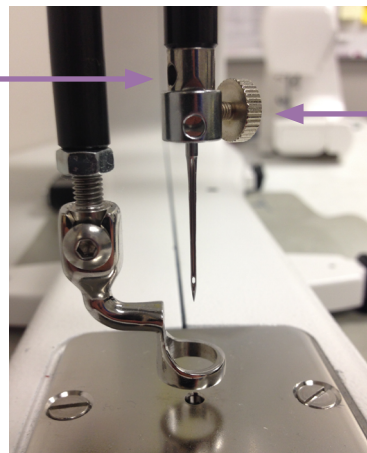


## To change the needle

🔗 **ONLINE:** For more information about replacing the needle, watch the video at: <https://www.youtube.com/watch?v=lb9MEK7bkLo&t=610s>

1. Move the needle bar to the UP position by pressing the Needle Up/Down control on the handlebar.
2. Turn off all power to the machine.
3. Loosen the needle bar clamp screw with the 2.5mm hex wrench.
4. Remove the old needle by pulling it down. Discard the old needle in a safe way.

**Sight hole**



**Needle bar clamp screw**

5. With the scarf of the needle (indentation at the back of the needle just above the needle eye) facing the rear of the machine and the long groove down the front of the needle facing the front of the machine, push the needle all the way up into the needle bar until it stops. Check the sight hole to verify that the top of the needle can go up no farther.



**Scarf at back of needle just above eye**



**Long groove at front of needle - shoulder to eye**

6. **CAUTION:** Check the needle to confirm it is fully inserted. The needle bar has a sight hole above the needle bar clamp screw. Make sure the needle is touching the top of the sight hole. If it is not all the way up, the machine timing will be off and it may be possible for the needle to collide with internal parts, causing damage not covered by warranty.
7. Carefully tighten the needle bar clamp screw.

△ **CAUTION:** Although you can use your fingers to tighten the needle bar clamp screw, we recommend that after finger-tightening the screw, you use the 2.5mm hex wrench to tighten it just a bit more. The Moxie runs at very high speeds and this ensures the needle will not loosen while quilting. However, do not over-tighten the needle clamp screw, as this may strip the threads of the screw. (Stripped threads are not covered under the warranty.) Once the screw no longer turns freely by hand, gently turn the hex tool until the screw is tightened snugly.

Needle Size	Thread Size
12 and 14	monofilament, 100 wt. silk, 60 wt. polyester, mylar
16	monofilament, mylar, 100 wt., 80 wt., 60 wt., 50 wt., 40 wt. silk, polyester and cotton thread
18	40 wt. cotton and polyester, 30 wt. cotton and polyester
19 and 21	Any thread 30 wt. and heavier such as 12 wt., 19 wt., 30 wt.



- ✦ **QUILTING TIP:** A size 16/100 needle will accommodate most threads and fabrics. Heavier threads, such as top stitch and some decorative threads, require a larger needle such as 18/110 or 21/130. Lofty batting and heavier fabrics such as denim, canvas, or densely woven fabric may also require a larger needle.

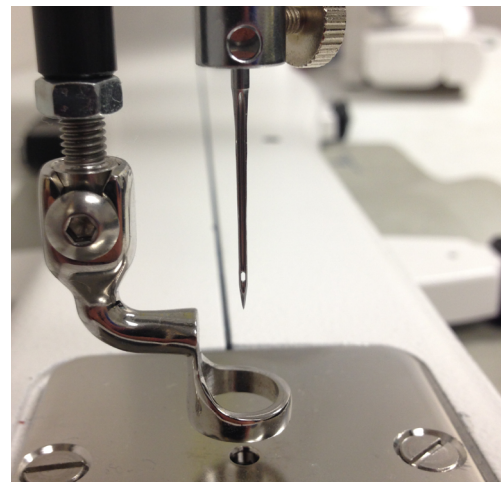
## Hopping Feet

Your machine comes with two hopping feet: a closed-toe foot (comes installed) and an open-toe foot. Use the closed-toe foot for everyday quilting, the Sure Foot for ruler work, and the open-toe foot when you need greater stitch visibility (such as when you are micro quilting).

🔗 **ONLINE:** For more information about changing the hopping feet, watch the video at: <https://www.youtube.com/watch?v=lb9MEK7bkLo&t=720s>

### To change the hopping foot

1. Turn off all power to the machine
2. Raise the needle and foot to their highest position. Remove the foot that is on the mount by using the 2.5mm hex wrench to loosen the mounting screw far enough that you can slide the foot off of the mount.
3. Slide the desired foot onto the mount. Note that the opening on the side of the foot is lined up with the screw. Push the foot up as far as it will go.
4. Fully tighten the screw with the 2.5mm hex wrench.



- ⚠ **IMPORTANT:** The Moxie does not have a presser foot lever, or top tension release, like a home sewing machine. On a home sewing machine the top tension is released when the presser foot is raised, allowing the thread to come freely out of the machine. When a home machine is threaded the tension discs are released and open to allow the thread to easily fall between the tension discs. This isn't the case with the Moxie XL machine. The top tension is always engaged and the tension discs are never open. Therefore the thread must be pulled up, or flossed, between the tension discs or it will stay outside the discs and float without tension, causing serious stitch quality problems and/or thread nests.

# Bobbin and Bobbin Tension

The Moxie quilting machine uses M-class bobbins that are much larger than home sewing machine L-class bobbins. The larger bobbins hold more thread and enable you to quilt for a longer time between bobbin changes.

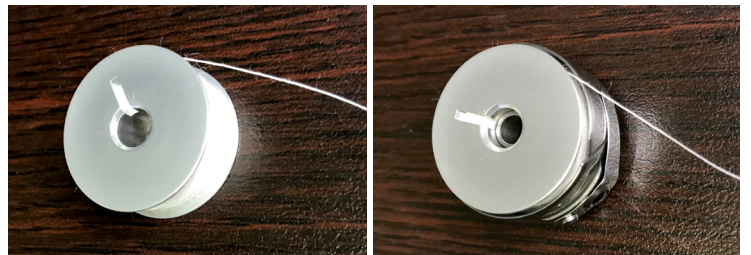
## ***To wind the bobbin***

The Moxie comes with a separate bobbin winder. For full instructions about using the bobbin winder, see the instruction manual that is packaged with the bobbin winder.

## ***To insert the bobbin into the bobbin case***

- △ **CAUTION:** To prevent personal injury, always turn off the power switch while inserting and/or removing the bobbin case or anytime your hands are near the needle area, such as when you change the needle or the hopping foot.

1. Place the bobbin in the bobbin case so the thread is wound clockwise and coming off top right.



2. The thread will then backtrack through the slot.



3. Guide the thread under the bobbin case tension spring.




4. The bobbin should rotate counterclockwise when the thread is pulled when properly threaded under the tension spring.

✎ **NOTE:** The rule is for the thread to backtrack as it comes off the bobbin under the tension spring. It should rotate the opposite way it is wound. It should not rotate the same direction it is wound.

📺 **ONLINE:** For more information about inserting the bobbin and adjusting bobbin tension, watch the video at: <https://www.youtube.com/watch?v=lb9MEK7bkLo&t=493s>

### ***To test bobbin tension***

The bobbin tension is the foundation for stitch tension. Always set the bobbin tension first.

 **NOTE:** Check the bobbin tension each time a new bobbin is inserted.

1. With the bobbin properly in the bobbin case, hold the bobbin case in the palm of your hand with the open end facing up.
2. Wrap the thread once around the index finger of the opposite hand and attempt to lift the bobbin up by the thread. The bobbin case should stand up on its side, and barely lift out of your hand. If the bobbin will not stand up on its side, the bobbin tension is too loose. If it lifts completely out of your hand and hangs by the thread, the bobbin tension is too tight.


### ***To adjust the bobbin tension***

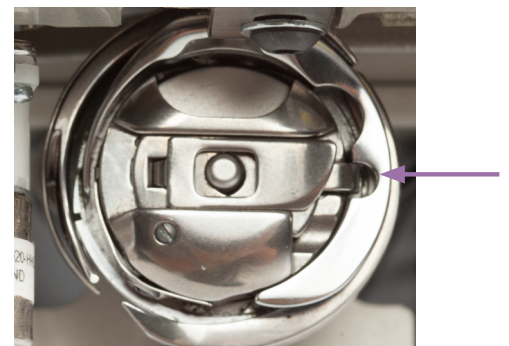
- Make the adjustment using the screw in the center of the tension spring (the larger of the 2 screws). Turn clockwise to tighten and counterclockwise to loosen the tension. Make tiny adjustments to the screw and test again.



### ***To insert the bobbin case into the machine***

1. Move the needle to the up position. Turn off the power to the machine.
2. Place the bobbin in the bobbin case.
3. Leave 5 to 6 inches of thread hanging loose. See page 24 for more details.
4. To fit the bobbin case onto the hook spindle in the machine, orient the bobbin case as shown in the photo with alignment tab into the notch to the right. Push the bobbin case inward until it clicks into place.

 **NOTE:** Do not insert the bobbin case into the machine by lifting the release lever on bobbin case. Use the lever only for removing the bobbin case.



# Quilting with the Moxie XL

## Preparing to Quilt

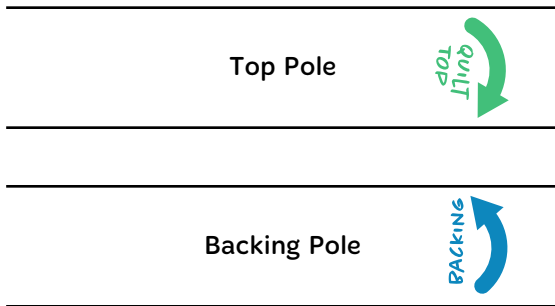
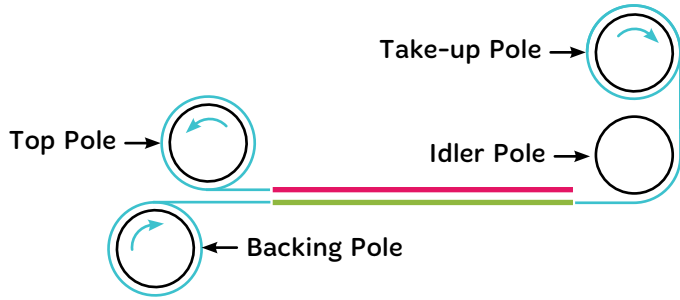
🕒 **IMPORTANT:** Make sure your machine has been cleaned, oiled, has a new needle, and that the tracks on the frame are free from threads or other debris.

1. If the machine isn't already plugged in, plug it in now.
2. Select your thread and wind one or more bobbins.
3. Set your bobbin tension and thread your machine.
4. Turn on the main power switch at the back of the machine.
5. After loading your quilt, use a scrap of fabric along the edge of the quilt backing and batting to test your top tension. Make adjustments to the top tension as needed.

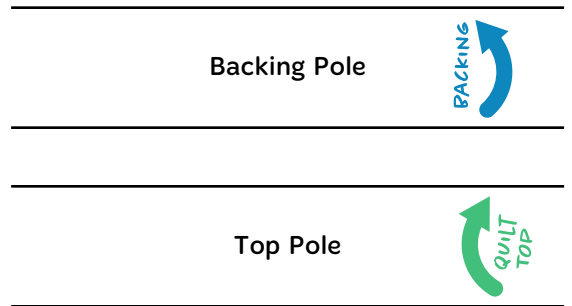
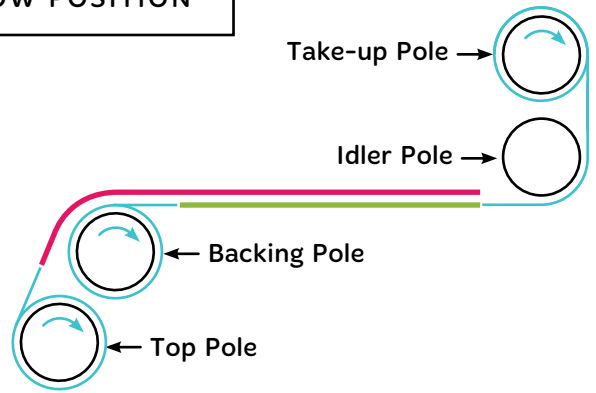
### ***To load the quilt***

1. Start with the backing fabric. Find the center of the bottom edge of the backing and match with the center of the backing pole leader. You marked the center of the leader when you installed it with the Velcro. The wrong side of the fabric should be facing up. It is helpful to drape the backing fabric over the take-up pole as you pin the bottom edge to the backing pole leader.
2. Match the raw edge of the fabric with the edge of the leader and pin together. Use long, sturdy quilting pins and insert the pins parallel to the edge of the leader, about 1/4 inch away from the edge. Place pins about 1/2 inch apart. Start pinning at the center and work your way to one side, being careful not to stretch the fabric. Return to the center and work your way to the opposite side.
3. Once the bottom edge is pinned in place, make sure the ratchet stop is engaged and roll the fabric around the pole, smoothing gently as you go. The top edge of the backing fabric gets pinned to the take-up pole leader in the same fashion, matching center of fabric to center of leader. Make sure the leader travels under the idler pole before getting pinned to the top edge of the backing fabric.
4. Next, find the center of the bottom edge of the quilt top. The right side of the quilt top should be facing up. It is helpful to drape the quilt top over the take-up pole as you pin the bottom edge to the top pole leader. Pin the quilt top to the Top pole leader in the same way you pinned the backing. Once the edge is pinned in place, make sure the ratchet stop is engaged and roll the quilt top around the pole, smoothing gently as you go. The top edge of the quilt top will get basted in place to the backing and batting.
5. Consult the diagram on the following page to determine the correct pole and the direction of rolling for each of your pieces. If you engage the ratchet stop before rolling, you will always roll in the correct direction.
6. **ONLINE:** For more information about loading the quilt watch the video at:  
<https://www.youtube.com/watch?v=lb9MEK7bkLo&t=778s>

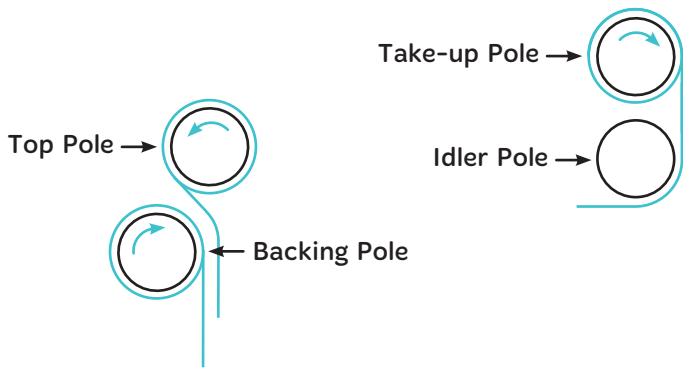
**HIGH POSITION**



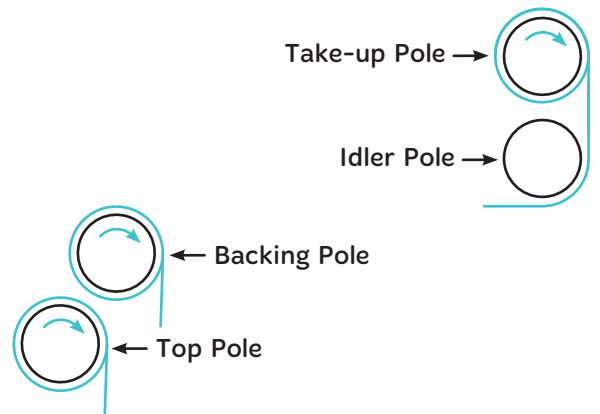
**LOW POSITION**



**HIGH POSITION LEADERS**



**LOW POSITION LEADERS**



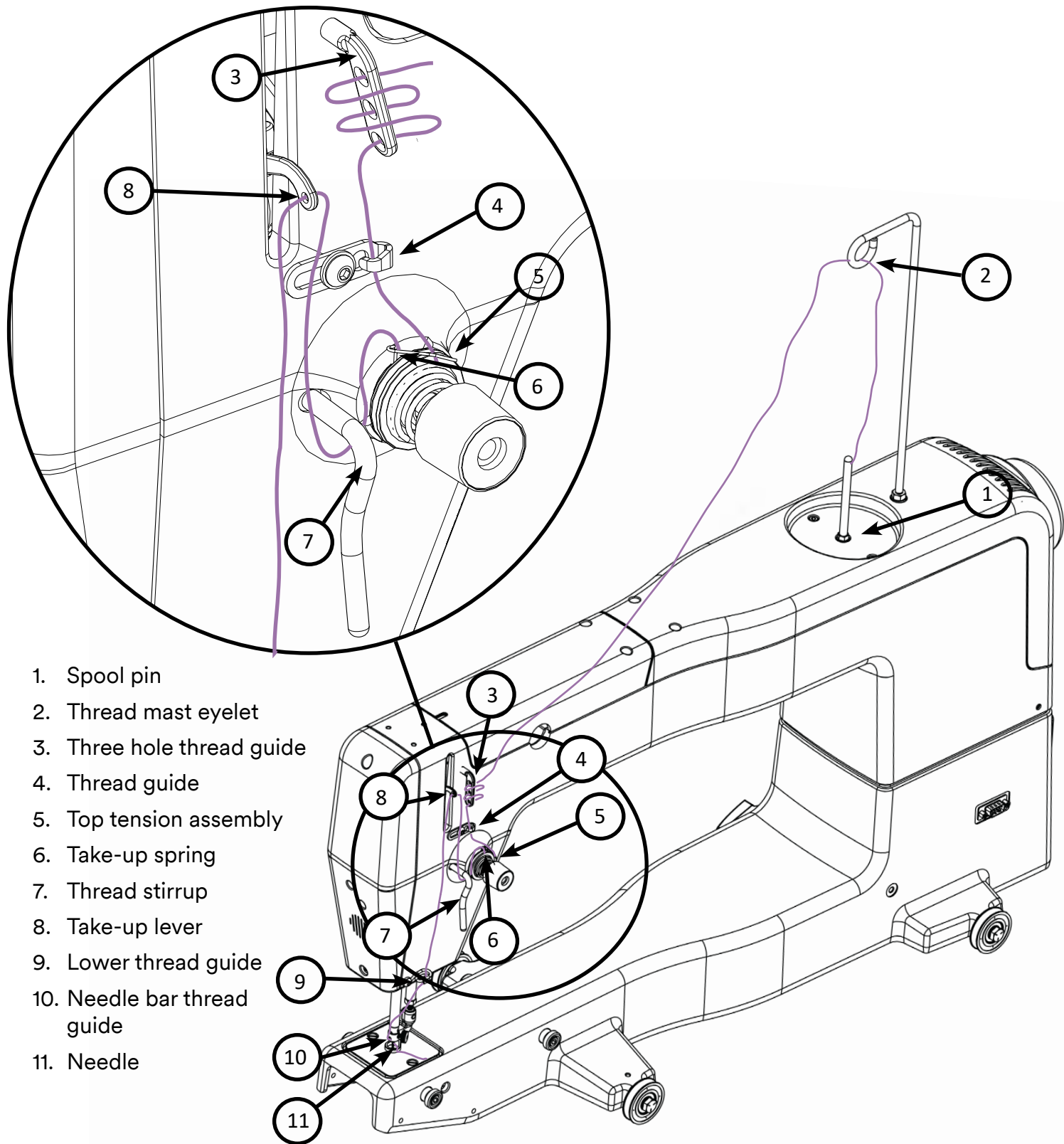
# Threading the Machine

Use the visual guide on the following page as well as the instructions below to thread your machine. Handi Quilter recommends that you select and use only high-quality threads for your quilts.

## *To thread the machine*

1. Place thread cone onto spool pin (1) at the top of the machine; insert the thread through the thread-mast eyelet (2) from back to front, continuing to the three hole thread guide (3).
2. On the three hole thread guide, thread all three holes from back to front, wrapping as you go, being careful not to cross threads. Threading all 3 holes is recommended for most threads. However, some very delicate threads, like metallic or monofilament, may require less tension. If you are having problems with thread breaking, try threading only one or two holes of three-hole thread guide.
3. Continue through the thread guide just above the top tension assembly (4).
4. The thread continues down to the top tension assembly (5).
  - **IMPORTANT:** The thread must be flossed up between the two tension discs. If the thread is not firmly in place between the two tension discs, the thread will lay on top of the tension discs (no tension) and thread looping on the bottom of the quilt can occur.
5. After the thread is in place between the tension discs, be sure that the thread catches on the take-up spring (6). Then guide the thread under the stirrup thread guide (7). Bring the thread up and through the hole of the take-up lever (8) from back to front, and then through the lower thread guide (9).
  - ✍ **NOTE:** Before threading the needle, test that the machine is threaded properly and the tension is correct by carefully pulling the top thread. It should pull smoothly with light to medium tension. If thread pulls freely with no tension, re-thread the machine, ensuring that the thread is flossed all the way between (pulled up into) the tension discs. Thread through the needle bar thread guide hole (10), this time from front to back. Almost there!
6. Make sure the thread follows the groove down the front of the needle and insert the thread through the eye of the needle from front to back (11). While pulling thread through the eye of the needle, be careful that the thread does not twist around the needle.

🔗 **ONLINE:** For more information about threading the machine, watch the video at: <https://www.youtube.com/watch?v=lb9MEK7bkLo&t=377s>




- 1. Spool pin
- 2. Thread mast eyelet
- 3. Three hole thread guide
- 4. Thread guide
- 5. Top tension assembly
- 6. Take-up spring
- 7. Thread stirrup
- 8. Take-up lever
- 9. Lower thread guide
- 10. Needle bar thread guide
- 11. Needle


# Top Tension


One of the joys of quilting with the Moxie is its ability to utilize many different types of thread. You can quilt with almost any high-quality thread as long as you first adjust the bobbin tension and then adjust the top tension to suit the thread you've chosen.

Puckering, gathers, and thread breakage occur when the top thread tension is too tight. Loops and thread nests occur when the top thread tension is too loose. Tension may need to be adjusted depending on the fabric, thread, or batting you are using for your project.

 **NOTE:** Top tension should be adjusted after the bobbin case tension adjustment is made.

 **NOTE:** Dark threads will be thicker (because of more dye) than light threads of the same weight and may require a tension adjustment. The type or brand of thread may also affect tension settings. Each time you change threads, you should check your tension.

 **IMPORTANT:** Before adjusting your top tension, remember to floss the top thread UP between the tension discs or it will float outside the discs providing little or no top tension. This could cause significant stitch quality or thread nesting problems.

 **QUILTING TIP:** Test the tension settings before quilting. The best way to make sure the top and bobbin tension settings are balanced is by quilting a test sample. Keep small pieces of light solid fabric on hand to place at the side of the quilt on the extra batting and backing. Then quilt some small loops and swirls and look at the stitches on top and underneath to ensure the tension looks balanced. Fine tune the tension as needed.

## *To adjust the top tension*

1. Test stitching with a scrap of fabric placed on the extra batting and backing at the side of the quilt. Examine the stitches both on the top and on the underside of the quilt.
2. Adjust the tension by turning the tension dial clockwise to tighten and counter-clockwise to loosen.
3. Continue to test the stitching on the fabric scrap and adjust by turning the tension dial until you are happy with the stitches.

## *Threading the Needle with the Needle Threader*

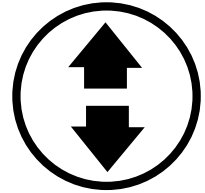
1. Turn off the power to the machine.
2. Hold the needle threader by the grip, with the triangle mark facing up.
3. Guide the thread, inserting it into the Y groove from right to left horizontally.
4. Place the V groove around the needle, above the eye.
5. Slide the automatic threader down the needle, while pushing it gently against the needle, until the threader pin goes into the needle eye.
6. Push the grip gently. You should see the threader pin and thread loop at the back of the needle.



1. Remove the threader from the needle slowly, then pick up the loop with the hook on the threader, pulling the end of the thread out to the back.
2. Turn machine power back on.

### **To bring bobbin thread to the top of the quilt**

1. After the machine is threaded, move the machine over the quilt to your starting location.
2. While firmly holding the tail of the needle thread, press the needle up/down key (button) twice, causing the needle to go down through the quilt sandwich and then back to the up position.
3. Move the machine two to three inches while holding the needle thread in place. The bobbin thread will pull through to the top of the quilt.
4. Grasp the bobbin thread and pull it to the desired length. Reposition the needle to the starting location. Tie off the threads by quilting a few very tiny stitches while holding both the top and bobbin thread. Press the Start/Stop key (button) to begin quilting.



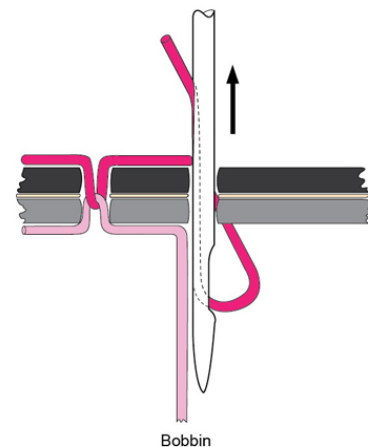
### **To start or stop quilting**

- Start or stop the machine at any time by pressing the Start/Stop key on the handlebars.
- To start quilting press the Start/Stop key. Do not hold the key down.
- To stop quilting press the same Start/Stop key.




### **Tension Quick Start Guide**

1. Always adjust bobbin tension first. Bobbin adjustments are minute. Turn the screw in small increments like single minutes on the clock.
2. Stitch to check top tension. To adjust the top tension, turn the knob in quarter turns or 15 minute increments.
3. If thread looks like Diagram A  
**Problem:** The top thread is too tight.  
**Solution:** Turn the top tension dial counter-clockwise to loosen the top tension.
4. If thread looks like Diagram B  
**Problem:** The top thread is too loose.  
**Solution:** Turn the top tension dial clockwise to tighten the top tension.



## Free-Motion Quilting

 **ONLINE:** For examples of different types of free-motion quilting, watch the video at:  
<https://www.youtube.com/watch?v=lb9MEK7bkLo&t=2298s>

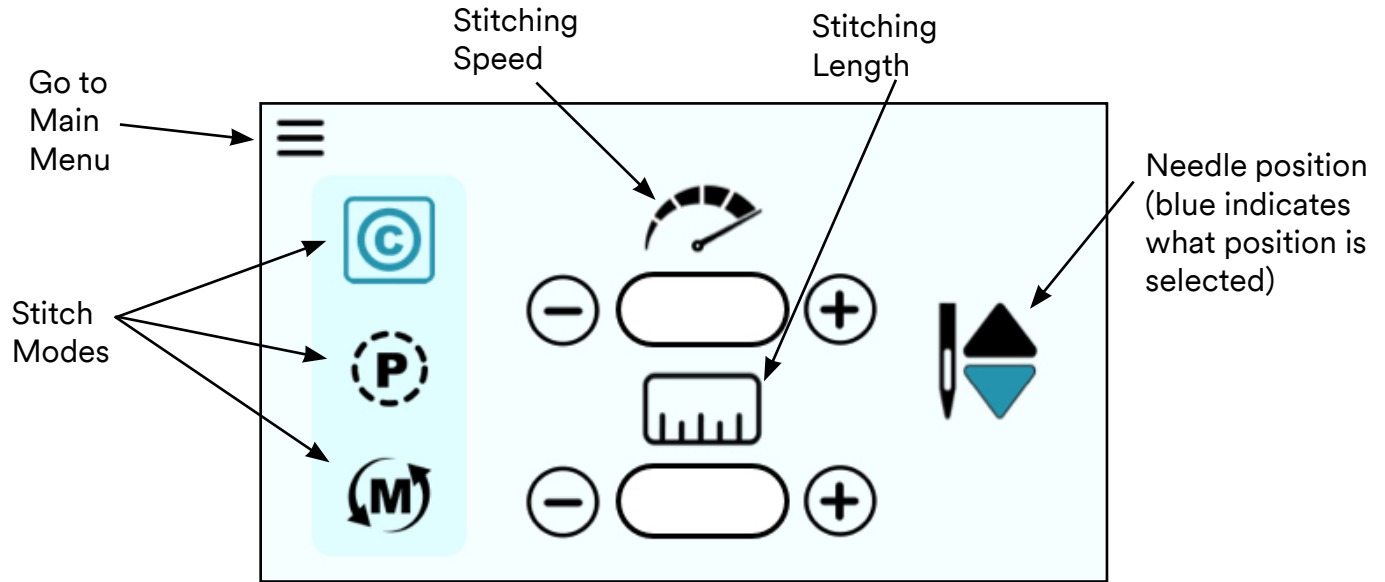
 **QUILTING TIP:** When quilting, relax your hands and maintain a light touch on the handlebars. Gripping the handlebars too tightly means you are trying too hard and you won't quilt smoothly. The Moxie XL, in combination with the HQ Loft Frame system or HQ Little Foot Frame system, will give you a smooth even glide while quilting.




# Moxie XL Screen Navigation

Complete detailed information for navigation and operation can be found on the following pages.

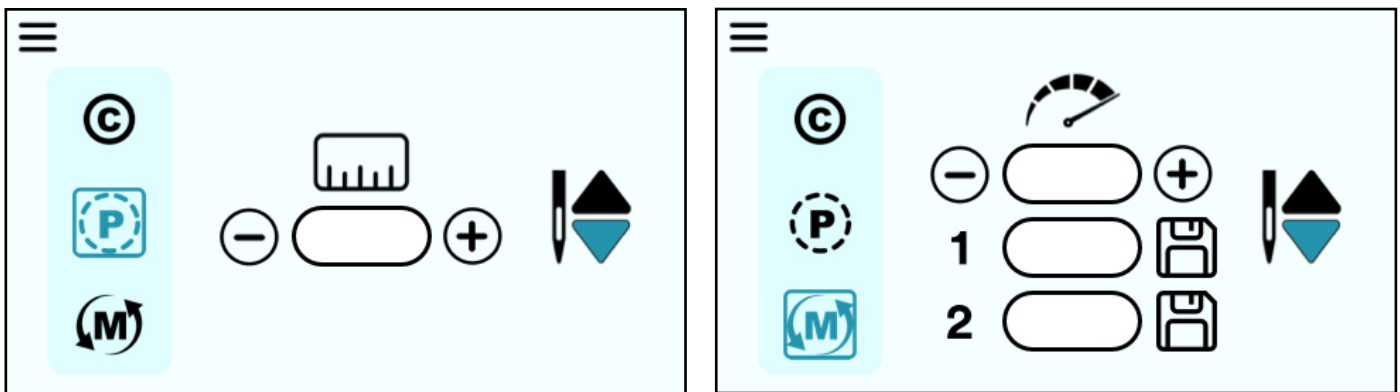
## Home Screen

The home screen is the main stitching screen that looks like this or something similar to this. The machine's touchscreen will need to be showing the Home Screen when you are stitching.



-  Box around icon indicates which item is selected
-  Menu symbol indicates screen is a submenu
-  Needle Stop Position indicates the final needle position when the machine stops stitching

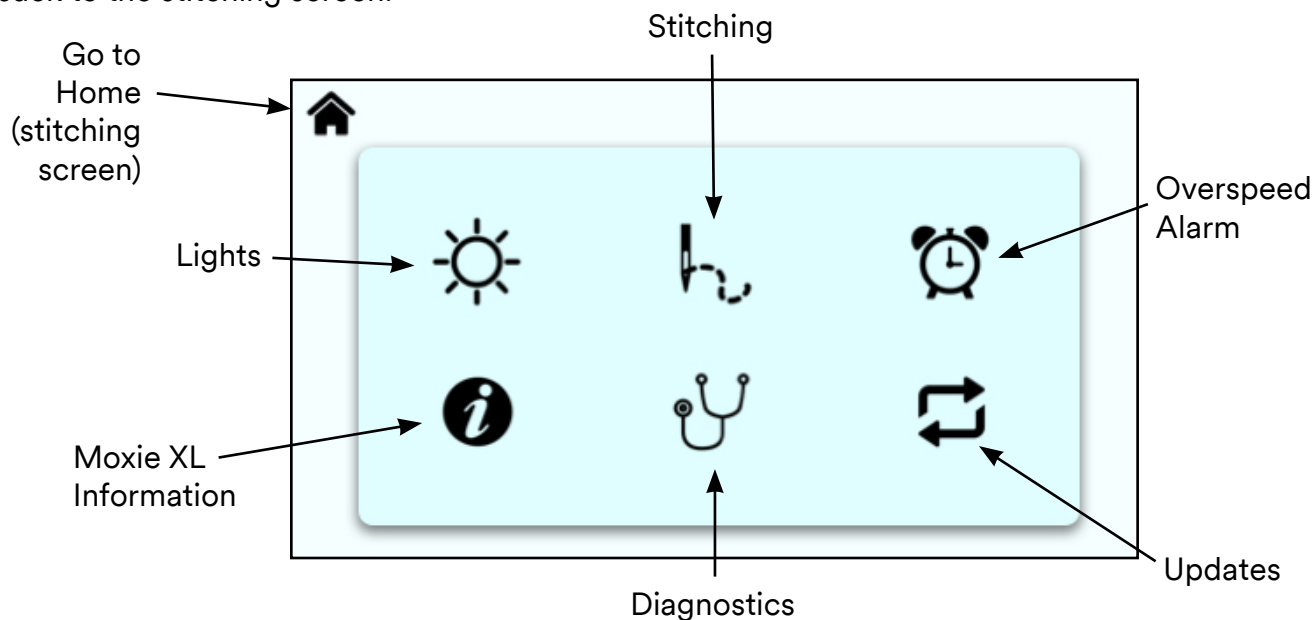
There are two other variations of the home screen, which change depending on the Stitch Mode that is selected.



For more information about sewing with the different stitch modes, go to the Stitch Modes section on page XX.

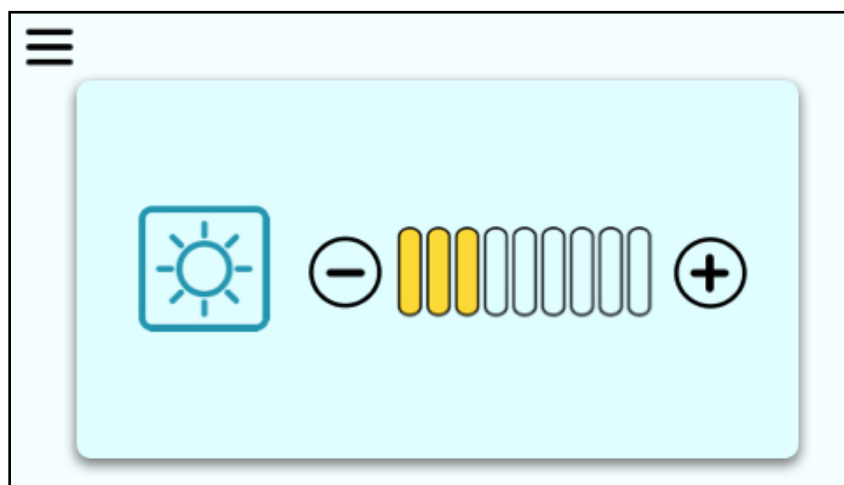
## Main Menu

This is the main menu that you will use to go to the machine settings that are listed. When you click on one of the icons, you will be sent to that icon's submenu. Press the Home button to go back to the stitching screen.




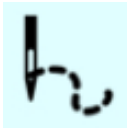
### Lights

When you click on the Lights icon on the main menu, you will be taken to this screen. This will allow you to adjust the brightness of the light under the nose of the machine.



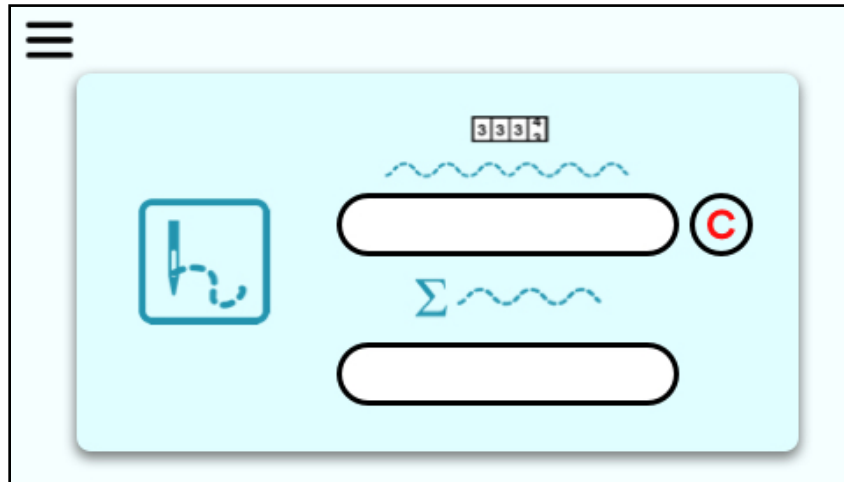
Press the Plus icon (+) to increase the brightness of the light. Press the Minus icon (-) to decrease the brightness of the light. The level of brightness is indicated by the yellow fill lines in the progress bar.

Press the Menu symbol  to go back to the Main Menu (the screen shown at the top of this page).



## Stitching

When you click on the Stitching icon on the main menu, you will be taken to this screen. This screen will tell you the stitch count of a project and the lifetime stitch count of the machine.



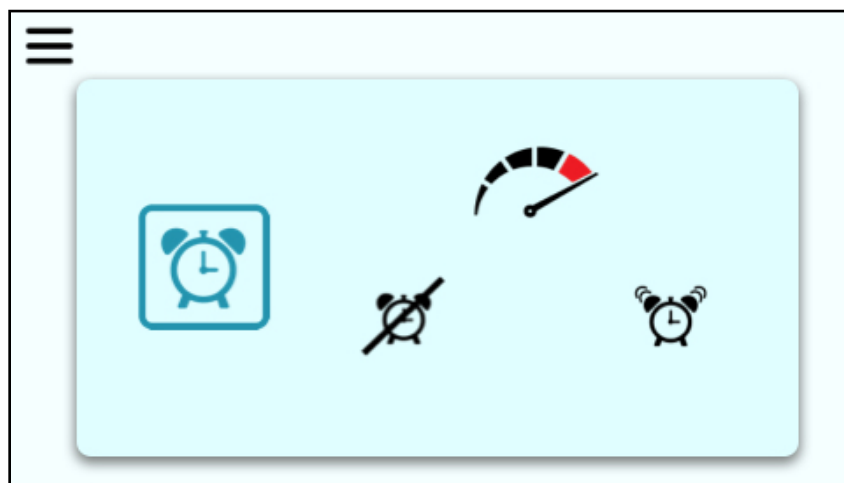
Press the C icon next to the project stitch count to reset the count back to zero. The lifetime stitches cannot be reset

Press the Menu symbol  to go back to the Main Menu.



## Overspeed Alarm

Your machine has an alarm that will alert you when you are moving the machine faster than the stitch regulation encoders can track. This may result in uneven quilting. The remedy is to slow down your movement, which the alarm will alert you to.



To turn the alarm ON, make sure you select the alarm clock icon on the right that does not have a line going through it. To turn the alarm off, select the icon on the left that has the line going through it.

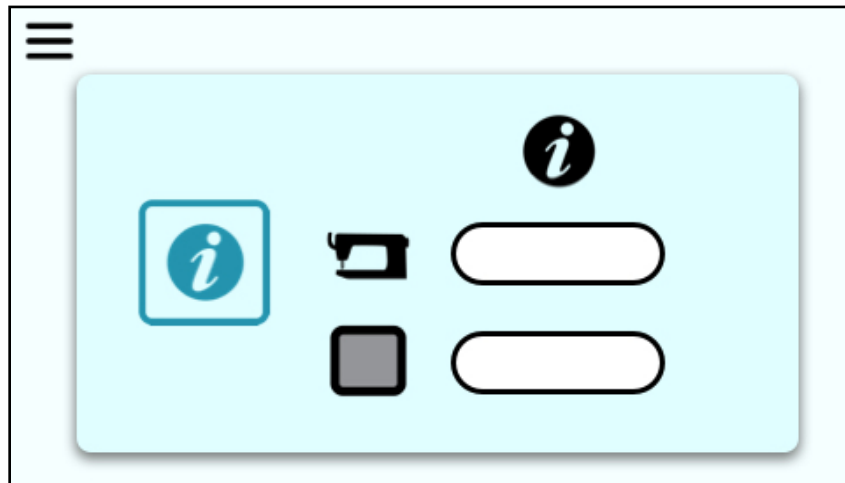
When the alarm is OFF, the alarm will not sound, regardless of how fast you move the machine.

Press the Menu symbol  to go back to the Main Menu.



## Information

The Information screen displays the Machine and Display hardware versions. To check the current hardware and versions of the quilting machine and the display or touchscreen, go to this screen by touching the Information icon.



The hardware version is listed first followed by the firmware version is shown.

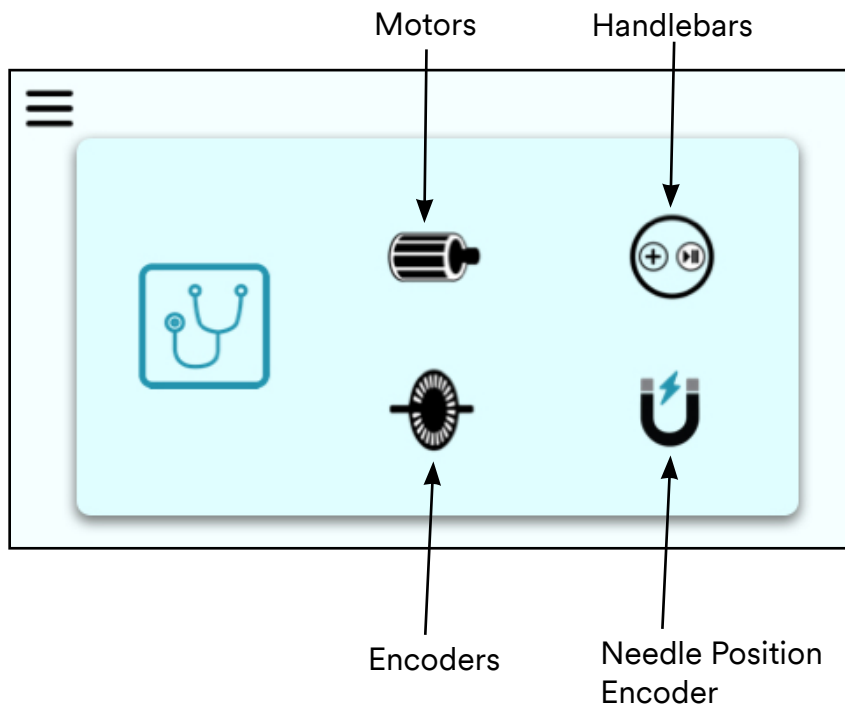
The Machine information is on top. The Display information is below.

Press the Menu symbol  to go back to the Main Menu.



## Diagnostics

You may be asked to perform diagnostic tests by Handi Quilter's Technical Solutions team or an authorized HQ retailer.



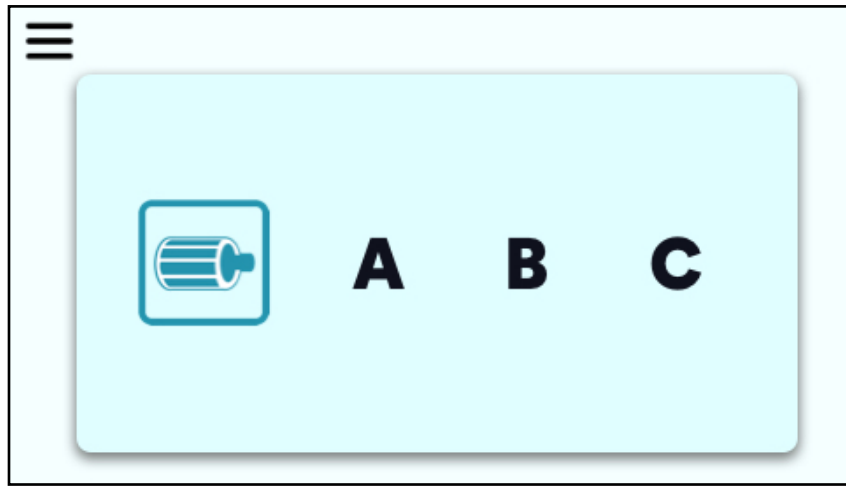
There are four different items you can run diagnostic testing on: motors, handlebars, encoders, and needle position encoder.




## Motor

Select this icon to start the test for the motor functionality.

While rotating the handwheel the A, B, and C letters should toggle between selected and unselected, indicated by a change of color.



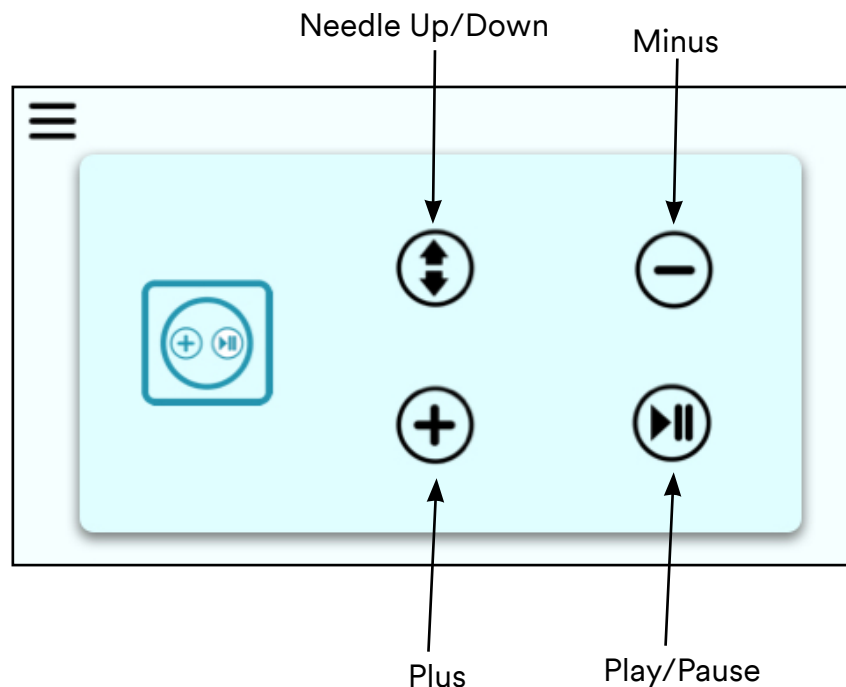
**Fail:** If A, B, or C does not toggle between selected and unselected as the hand wheel is turned, the motor has failed.

Press the Menu symbol  to go back to the Diagnostics menu.



## Handlebars


Select this icon to test the functionality of the handlebar key switches.

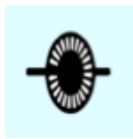


When the screen shown above is open, press any of the four keys on the front or back handlebars to verify the quilting machine is reading the keys as they are pressed.

Press each key on the front or back handlebar several times. When a key is pressed, it will become selected or highlighted on the touchscreen to indicate that key is working.

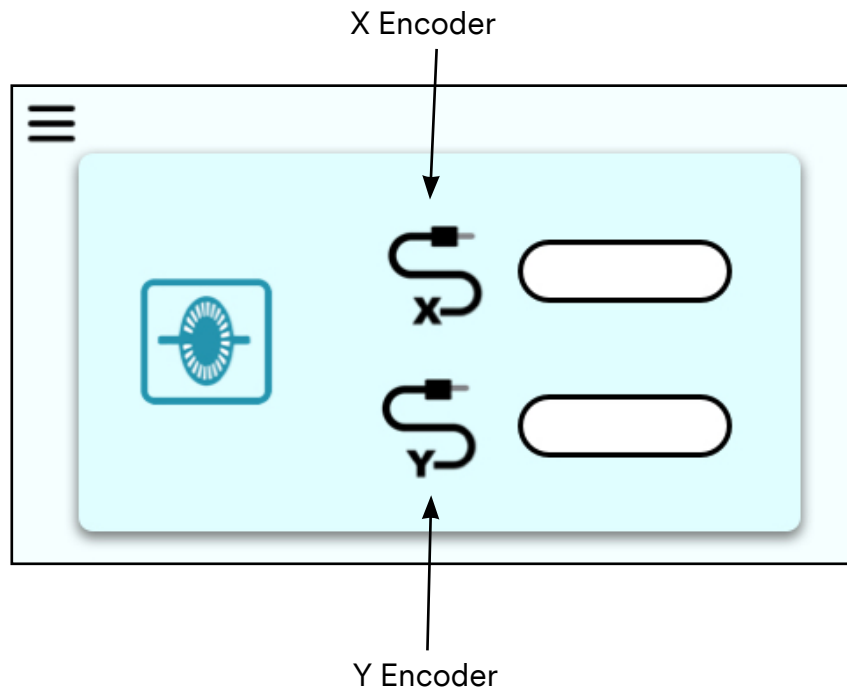
**Pass:** Each time a key is pressed, the corresponding key icon on the diagnostic screen will toggle between selected or unselected.

Press the Menu symbol  to go back to the Diagnostics menu.




### Encoders

Select this icon to test the current X stitch-regulation encoder (left-to-right and right-to-left) and Y stitch-regulation encoder (front-to-back and back-to-front).



When the above screen is showing, move the quilting machine around the frame.

**Pass:** Values for X and Y will increase and decrease as the machine and carriage are moved.

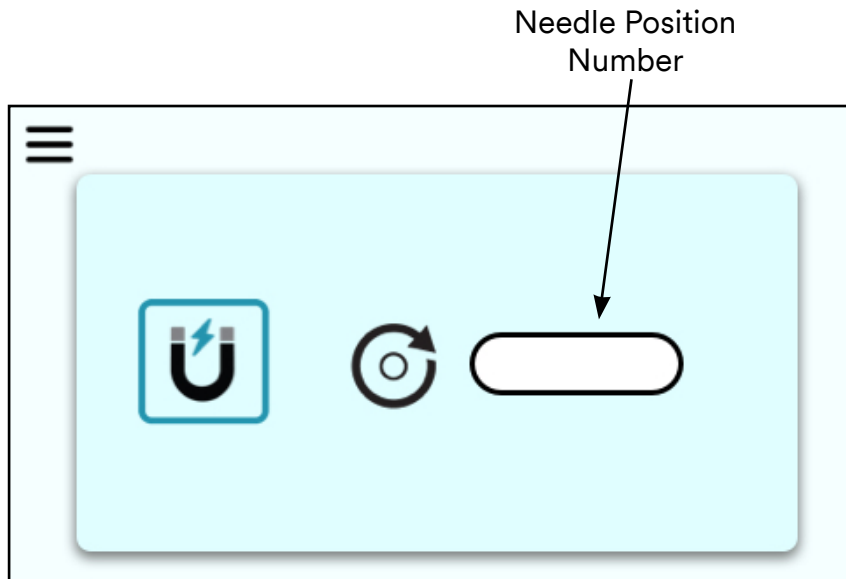
Press the Menu symbol  to go back to the Diagnostics menu.



### Needle Position Encoder


Select this icon to tests the needle position using the handwheel.





When the above screen is open, rotate the handwheel to test the needle position. The numbers should cycle from 0 to 359.

**Pass:** The numbers cycle from 0 to 359 while the handwheel is rotating.

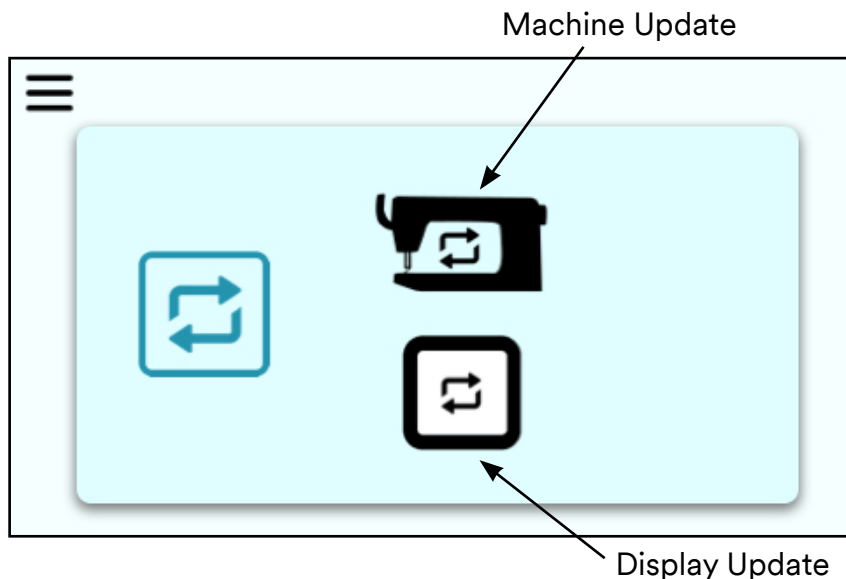
Press the Menu symbol  to go back to the Diagnostics menu.

When back at the Diagnostics menu, press the Menu symbol  again to go back to the Main Menu.



## Updates

From time to time, it may be necessary to perform updates to your quilting machine's software. When the update screen is open, this is what you will see:



Through this screen, you can update the display and machine software to be updated by using a USB drive (with the updated firmware versions) inserted into the machine's USB port.

To complete an update, follow these steps:

1. Download the update(s) and save to a USB drive.

For the latest software update, visit <https://handiquilter.com/machine-software-updates> and select the Moxie tab.

2. Insert the USB drive into the USB port on the left side of the nose cover on the Moxie XL.

 **NOTE:** This USB port is used for both the Machine and Display updates.

3. Press either the Machine icon or the Display icon to begin the update.

You will hear beeps:

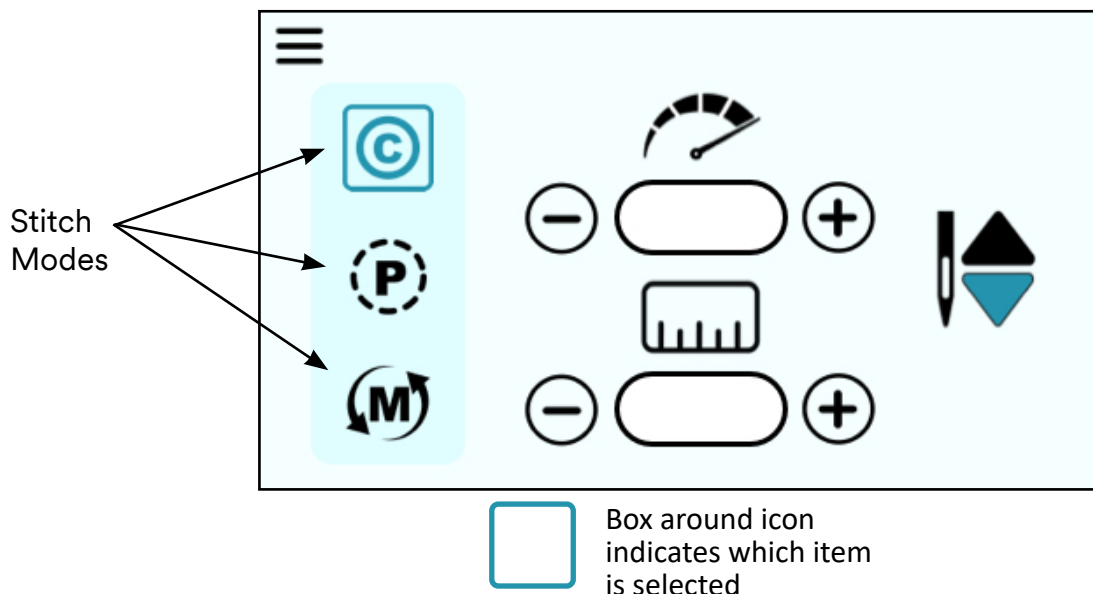
- 3 beeps at 2 second intervals: indicates there is no USB drive in the port or the USB drive is unreadable.
- 2 beeps at 2 second intervals: indicates the update file cannot be found or is corrupt.
- 1 beep at 2 second intervals: indicates the update is in progress.

When the update is complete the machine will beep and return to the Home screen.

 **NOTE:** When you need to update both the Machine and Display software at the same time, **ALWAYS COMPLETE THE DISPLAY UPDATE FIRST.** Then proceed with the Machine update.

## Stitch Modes

On the home screen, you can view the different Stitch Modes that you are able to access. Each Stitch Mode varies the look of the home screen and have slightly different functions.



- **IMPORTANT:** The Stitch Mode settings cannot be adjusted while the machine is stitching. Ensure the machine has been paused and make your desired changes. Then you may continue stitching.

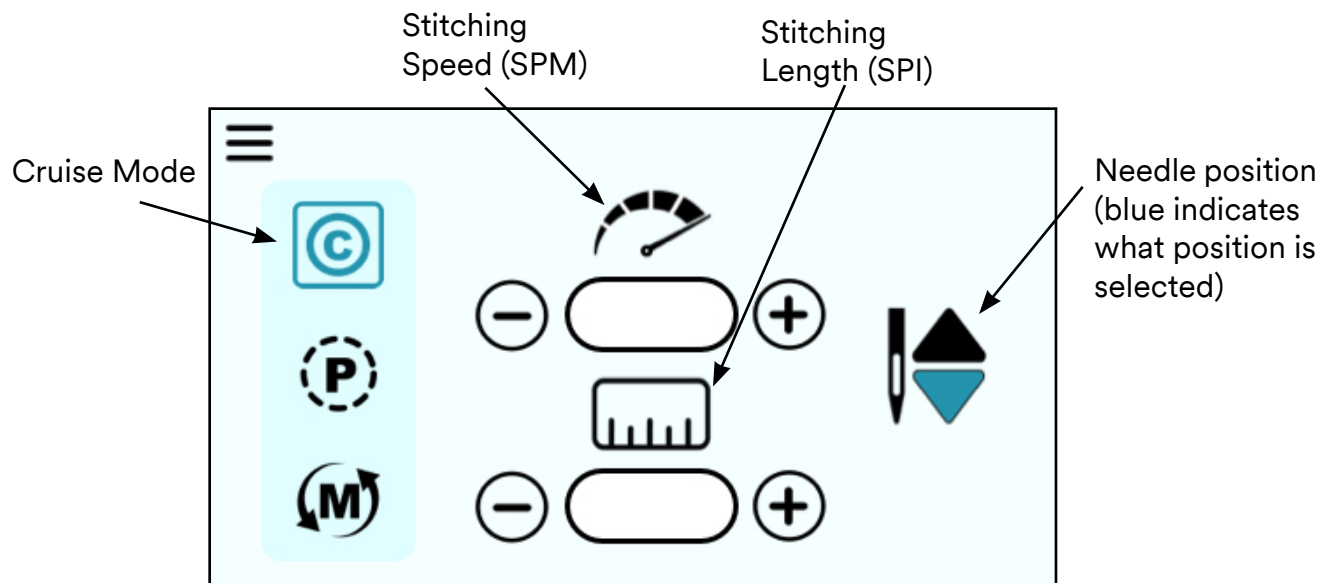
## Cruise Mode



When quilting in Cruise mode, the needle will start to move immediately when you press the Start/Stop key on the handlebar, according to the cruise speed (stitches-per-minute) setting.

Once you begin to move the machine, the needle will move according to the stitches-per-inch (SPI) setting. The needle continues to move at the Cruise speed (stitches-per-minute) anytime you pause the machine, until you press the Start/Stop key on the handlebar to fully stop quilting.

Select Cruise Mode by touching the Cruise icon on the Home screen.

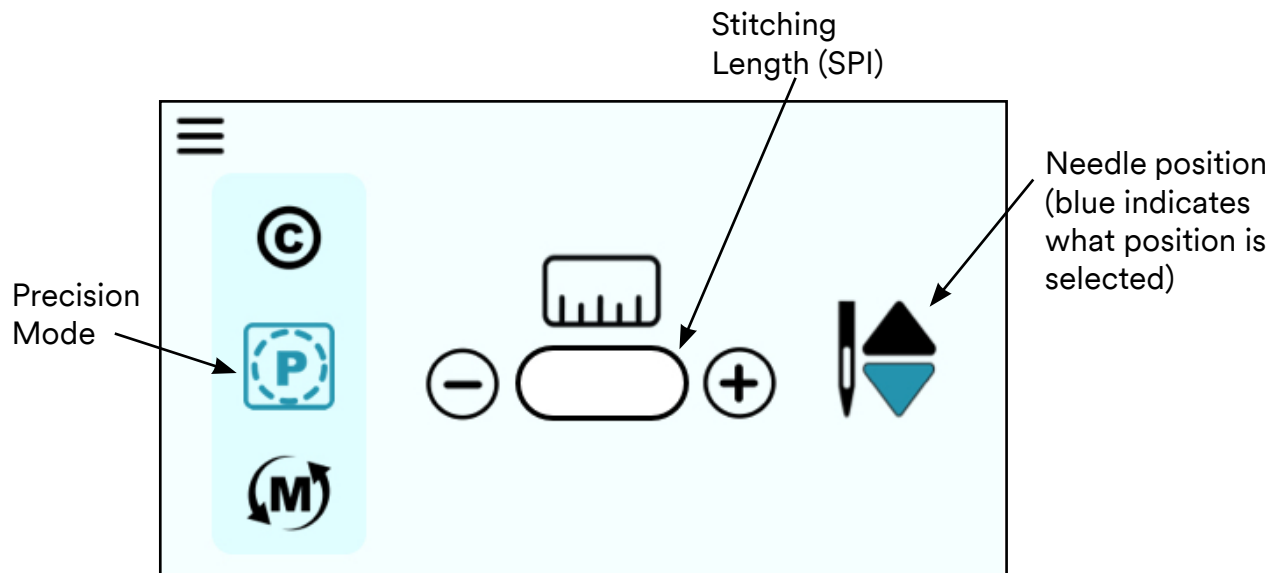


The Cruise speed is the SPM the machine will stitch, regardless of how the machine is moved.



## Precision Mode

Stitch regulation maintains a consistent stitch length (stitches-per-inch) regardless of how quickly or slowly you move the machine. When quilting in Precision mode, the needle only moves when you move the machine.



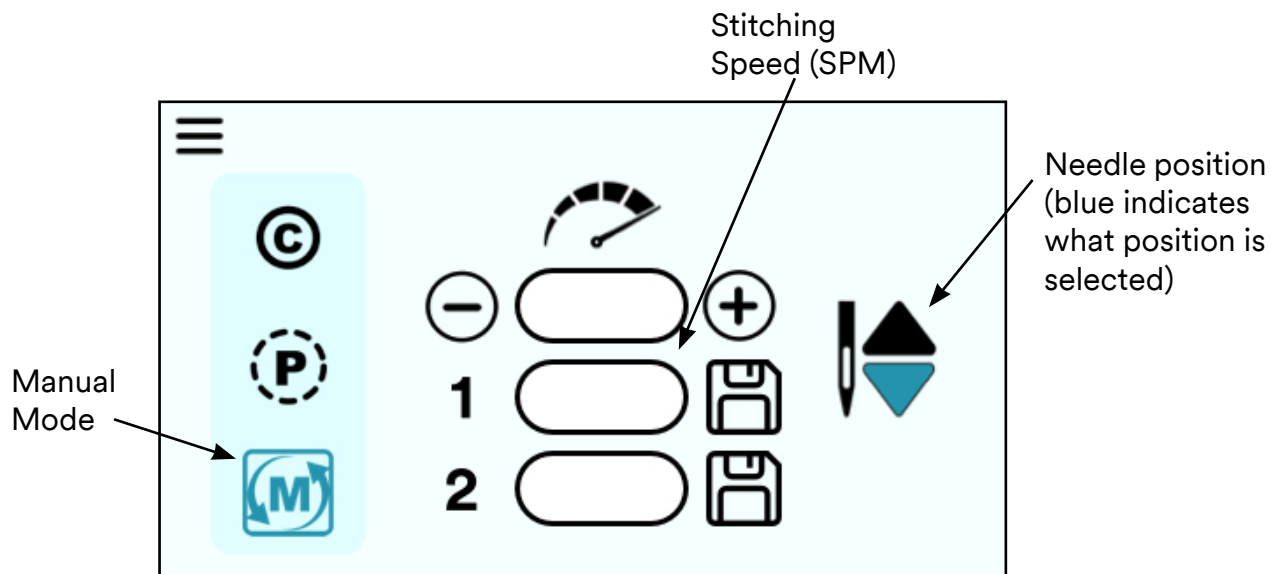
After you press the Start/Stop key on the handlebar, move the machine to begin quilting according to the stitches-per-inch setting. When you pause moving the machine, the needle will pause until you move again. Press the Start/Stop key on the handlebar to fully stop quilting.

Select the Precision icon and then specify the stitches per inch by pressing the Plus or Minus key on the the screen.



## Manual Mode

When using manual stitching mode, the length of the stitch is determined by how quickly or slowly you move the machine around the quilt, in combination with the number of stitches per minute (up to 1800) that you choose.



For a consistent stitch length, move the machine at a consistent speed. Experiment with different combinations of quilting speed and stitches-per-minute to find what the optimal conditions are for you.

Select the Manual icon and then specify the stitches per minute (speed) by pressing the Plus or Minus key on the screen.

## Alerts

Alert screens display an icon that indicates an issue with the operation of the machine. The Alert might indicate a minor problem you can remedy on your own, like a loose cable. Other times you may need to seek help from your local retailer or Handi Quilter's Technical Solutions team.

An icon will be displayed on the screen along with a code number that appears in the upper right corner of the screen. This number will help a certified technician or Handi Quilter's Technical Solutions team diagnose the issue. The number will not mean anything to you, but make note of it so you can relay it to your technician.

The icons that can be displayed are shown below.



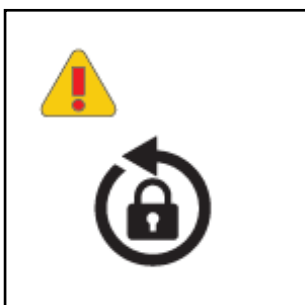
**Over/under voltage:** This icon appears when the machine has detected a voltage that is out of range for an extended period of time.

Power cycle the machine by turning the machine off at the power switch, wait 10 seconds, and then turn back on. If the trouble repeats, please contact your retailer for service.



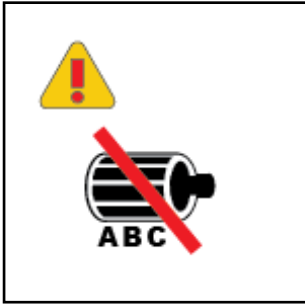
**Over-current:** This icon may appear when the machine has hit an obstruction or is unable to sew through the fabric.

Check your quilt for any obstruction, such as a pin, and remove it. Check that the hand wheel can rotate freely then clear the screen by pressing any key. If the trouble repeats, please contact your retailer.



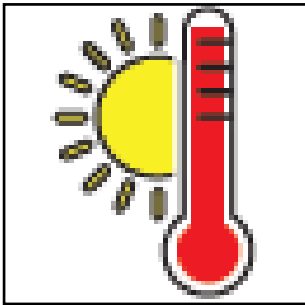
**Obstruction:** This icon indicates there may be thread or lint trapped in the bobbin race.

Check for thread or lint in the bobbin race. You may need to have someone turn the hand wheel while you watch the bobbin race. Remove the obstruction and oil the hook. Check that the hand wheel can rotate freely. Clear the screen by pressing any key.



**Motor Hall Sensor:** This icon indicates the hall sensors did not change state correctly.

In the unlikely situation where the control system has detected an incorrect motor sensor sequence, please contact your retailer for repairs.



**Over-temperature:** The over-temperature icon appears if:

- the machine is being stressed by an obstruction
- the machine is stitching through extremely difficult fabric to sew, or
- the machine is operating in a hot environment.

Power off the machine and allow it to cool down. If the problem persists, contact your retailer.



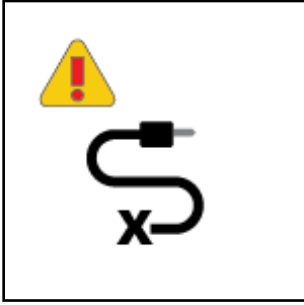
**Magnetic Encoder:** This icon indicates a problem with the main shaft position sensor.

Please contact your retailer for service.



**Service:** This icon indicates that the machine should be serviced.

Please contact your retailer for service



**X Encoder:** This icon shows the X encoder is not fully plugged in.

Turn off the machine then unplug and replug the connector at both the encoder end and the machine end to ensure it is completely plugged in. Also check the X encoder (at the back of the carriage) and the cable for damage.


Clear the screen by pressing any key.

# Machine Maintenance

## Clean and Oil Your Moxie XL


The only place where you need to regularly oil your machine is the bobbin hook assembly. Failure to keep the hook assembly lubricated can cause severe damage to the machine.

We recommend that you oil the hook assembly with each bobbin change and before use if you haven't used the machine for a few days. A change in the sound of the machine while quilting also indicates that it may need to be oiled.

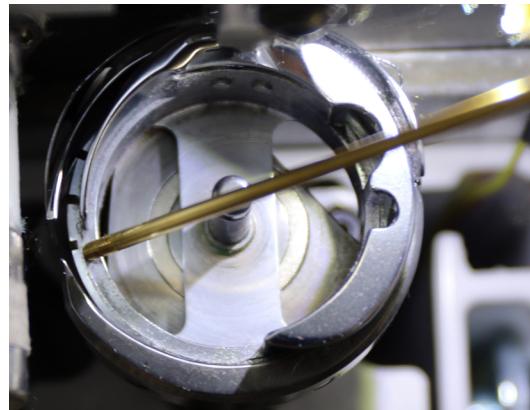
 **NOTE:** Internal lubrication will be done when the machine is taken to a service technician for routine maintenance and cleaning, every 24 months or 10 million stitches (whichever comes first).


 **IMPORTANT:** Only use light sewing machine oil on the hook when oiling your machine.

### *To clean the bobbin area and oil the bobbin hook*

 **ONLINE:** To see how to clean and oil the bobbin area, watch the video at: <https://www.youtube.com/watch?v=lb9MEK7bkLo&t=2920s>


1. Turn off the machine. Remove the bobbin and bobbin case.
2. Clean the bobbin basket area using a lint brush (provided) or a quick blast of canned air.
3. Put a small drop of oil on the hook in the region where the bobbin basket assembly and the rotating hook meet. The oil will work its way back into the interlocking area of the hook and bobbin basket.
4. Replace the bobbin case with bobbin and turn on the machine.



 **QUILTING TIP:** After oiling, always sew a few seconds on a scrap piece of fabric off the side of the quilt as oil may cling to thread. Over-oiling can cause excess dripping from the bobbin assembly.

### *To clean the Moxie display*

- Use a soft rag or microfiber cloth (dampened with diluted isopropyl alcohol if needed) and gently wipe the display to remove any dust or finger marks.

 **CAUTION:** Never use any chemicals to clean your display as this may negatively affect the display's performance.



## Maintenance Schedule

In addition to the ongoing cleaning and oiling maintenance that you do on a regular basis when you quilt, you should have your machine serviced by an authorized Handi Quilter technician every **24 months** or **10 million stitches**, whichever occurs first. They will take care of oiling and greasing internal parts and ensure the machine is in optimal working order.

# Troubleshooting

You can correct many problems on your own. If you need additional help, contact your local, authorized Handi Quilter retailer who supports you and your machine. You can also contact Handi Quilter technical solutions at 1-801-292-7988, 1-877-MY-QUILT (697-8458), or TechCares@HandiQuilter.com.

## ***First, check the following:***

1. The AC power cord is properly connected (at both ends) and the power switch is turned on.
2. Confirm that all cables are properly seated into their connections.
3. Turn off the machine completely. Wait for at least ten seconds and then turn it back on.

If the above checks do not solve the problem, refer to the information below.

<b>Skipped Stitches</b>	<b>Corrective Measure(s)</b>
The needle is damaged, dull, bent, or installed improperly	<ul style="list-style-type: none"><li>• Replace the needle often, normally once or twice per day for continuous quilting or at least once per quilt. Use only the recommended needle system.</li><li>• Always change the needle if the needle has struck any hard object such as a pin. The tip of the needle can become damaged or burred, resulting in fabric damage, as well as skipped stitches, thread breakage, or shredding.</li><li>• Always change the needle if it has been hit, bumped or pulled off center while maneuvering the machine over the quilt. A slightly bent needle can be a major cause of skipped stitches.</li></ul>
Incorrect needle size	<ul style="list-style-type: none"><li>• Use the proper size needle for the job. Start with matching the needle size with the thread; consult the chart on your Moxie XL Quick Reference Card. Some battings and fabrics used in quilting may require a larger size needle.</li><li>• You will need to experiment to determine which works best with your combination of fabric, thread, and batting.</li></ul>
Fabric is too tight on the frame	<ul style="list-style-type: none"><li>• Loosen the fabric tension on the frame. Fabric that is tensioned too tightly causes the fabric to bounce while quilting. This can result in skipped stitches.</li></ul>
Thread tension too tight	<ul style="list-style-type: none"><li>• Check bobbin case tension and then check top thread tension.</li><li>• For more information about adjusting tension, see Bobbin and Bobbin Tension in the Using Your Machine section of this manual.</li></ul>


Improper threading	<ul style="list-style-type: none"> <li>• Ensure that the machine is threaded correctly. Refer to your Moxie XL Quick Reference Card if needed.</li> </ul>
The needle is not positioned properly	<ul style="list-style-type: none"> <li>• Position the needle properly to the needle bar. Inspect the position of the needle to make sure the needle is at the 6 o'clock position. When you stand directly in front of the needle, facing the front (bobbin case side) of the machine, you will see the entire needle eye directly facing you. This is the 6 o'clock position.</li> <li>• Make sure (a) the needle is installed all the way into the needle bar, and (b) the long groove in the needle is toward the front, and (c) the scarf, the scooped out part of the back of the needle, is toward the back of the machine.</li> </ul>
<b>Needle Breaks</b>	<b>Corrective Measure(s)</b>
The needle is bent or not installed properly	<ul style="list-style-type: none"> <li>• Replace the needle. Make sure that the needle is pushed into the needle bar clamp until it can go no further. Visually check that it is up to the top of the sight hole above the needle bar clamp screw. If the needle isn't installed properly, it can cause damage in the bobbin area and throat plate.</li> </ul>
The needle hits the throat plate	<ul style="list-style-type: none"> <li>• Correctly position the needle, throat plate, or hopping foot. Replace with a new needle.</li> </ul>
<b>Stitches Are Puckered</b>	<b>Corrective Measure(s)</b>
The tension is not balanced	<ul style="list-style-type: none"> <li>• Balance the tension of the top thread after ensuring the bobbin tension is adjusted correctly. For more information about adjusting tension, see <i>Bobbin and Bobbin Tension</i> in the <i>Using Your Machine</i> section of this manual.</li> </ul>
Needle too large for quilting thread	<ul style="list-style-type: none"> <li>• Replace the needle with a size better suited for the thread.</li> </ul>
<b>Poor Stitch Quality</b>	<b>Corrective Measure(s)</b>
The tension is not balanced	<ul style="list-style-type: none"> <li>• Balance the tension of the top thread after ensuring the bobbin tension is adjusted correctly. For more information about adjusting tension, see <i>Bobbin and Bobbin Tension</i> in the <i>Using Your Machine</i> section of this manual.</li> </ul>
Bobbin case is damaged, corroded, dirty, etc.	<ul style="list-style-type: none"> <li>• Since thread slides over the surface of the bobbin case at a high speed, make sure the case is free of any lint or foreign matter that could impede thread passage through the machine.</li> </ul>
Moving the machine too fast for needle speed selected (Manual mode)	<ul style="list-style-type: none"> <li>• Synchronize machine movement and needle speed to get your desired stitch length. Elongated stitches are an indication of moving the machine too fast for the current speed.</li> </ul>

<b>Tension Is Poor</b>	<b>Corrective Measure(s)</b>
Lint caught under the tension spring on the bobbin case	<ul style="list-style-type: none"> <li>• If using short staple threads, inexpensive threads, industrial threads, or coated threads, lint and other material will build up under the tension spring and begin to lift the spring. This reduces the spring's ability to compress against the thread. Insert the corner of a business card under the spring and clear out the lint. The bobbin tension will return fairly close to its preset tension. Test the tension before quilting.</li> </ul>
<b>Hand Wheel Won't Rotate</b>	<b>Corrective Measure(s)</b>
Thread is entangled and caught in the hook	<ul style="list-style-type: none"> <li>• There may be a thread lock. Quickly rock the hand wheel, at the back of the machine, back and forth several times. You may need another person to turn the hand wheel while you look for the thread that is caught. Once thread lock is cleared re-oil the hook and make sure the hand wheel turns freely.</li> </ul>
There is a thread lock.	<ul style="list-style-type: none"> <li>• Carefully rock the hand wheel in direction of motion and then the other direction until the thread lock breaks free. Once the hand wheel can be turned freely, remove the thread from the hook and basket. Now re-oil the hook and make sure the hand wheel turns freely without the hook hitting the needle. It is possible for a thread lock to cause a timing problem.</li> </ul>
<b>Thread Nests under Quilt</b>	<b>Corrective Measure(s)</b>
Not enough tension on top thread	<ul style="list-style-type: none"> <li>• Check that the machine is threaded correctly. Make certain that the thread is flossed snugly in place between the two tension discs. If the machine is threaded correctly, tighten top tension by rotating the tension knob clockwise. (For more information about adjusting tension, see <i>Bobbin and Bobbin Tension</i> in the <i>Using Your Machine</i> section of this manual.)</li> </ul>
Improper threading	<ul style="list-style-type: none"> <li>• Refer to threading diagram and threading instructions.</li> </ul>
<b>Thread Backlash</b>	<b>Corrective Measure(s)</b>
Bobbin thread tangles within the bobbin case, tangles and winds onto the hook spindle, or occasionally forms loops on the bottom of the quilt	<ul style="list-style-type: none"> <li>• Make sure the bobbin is in the bobbin case correctly and the thread is coming out from under the tension spring. The bobbin should rotate clockwise when the thread is pulled.</li> </ul>

<b>Hard to Guide Machine</b>	<b>Corrective Measure(s)</b>
Carriage wheels not centered on track	<ul style="list-style-type: none"> <li>• Center the carriage wheels on top of the continuous track. Refer to your frame instructions.</li> <li>• Check that the machine carriage has not jumped the track.</li> </ul>
Thread caught in wheels	<ul style="list-style-type: none"> <li>• Remove all thread or debris from the wheels.</li> <li>• Check that the tracks are free of lint and threads.</li> </ul>
<b>Motor Fails to Run</b>	<b>Corrective Measure(s)</b>
On/Off switch turned off	<ul style="list-style-type: none"> <li>• Make sure that the power switch is in the on position.</li> </ul>
Machine not receiving power	<ul style="list-style-type: none"> <li>• Check that the power connector is securely plugged into the back of the machine and the three-prong end is plugged into the power source. Unplug and re-plug.</li> </ul>
<b>Uneven Quilt Design</b>	<b>Corrective Measure(s)</b>
Take-up rollers may be bowed or bent	<ul style="list-style-type: none"> <li>• Make certain the fabric is not rolled too tight, causing the poles to bow. Check that poles are inserted completely together with the push buttons engaged so bowing won't occur.</li> </ul>
Leaders are stretched or worn	<ul style="list-style-type: none"> <li>• If fabric is beginning to stretch or fray, contact Handi Quilter to purchase replacement leaders.</li> </ul>
<b>Thread Breaks</b>	<b>Corrective Measure(s)</b>
Poor quality thread, may have severe twisting or thread rot	<ul style="list-style-type: none"> <li>• Look for severe twisting of threads when approximately 12 to 15 inches has been pulled off, with the ends pinched together.</li> <li>• Cotton threads are particularly susceptible to dry rot or wet rot which makes thread brittle.</li> <li>• Do not use poor quality thread, or thread that is rotted or brittle.</li> </ul>
Top and bobbin tensions not balanced	<ul style="list-style-type: none"> <li>• Balance the tension of the needle thread after ensuring the bobbin tension is adjusted correctly. (For more information about adjusting tension, see <i>Bobbin and Bobbin Tension</i> in the <i>Using Your Machine</i> section of this manual.)</li> </ul>

<p>The machine has been threaded incorrectly or thread spools are not positioned correctly</p>	<ul style="list-style-type: none"> <li>● Check that the machine is threaded correctly. Refer to diagram on Quick Reference Card.</li> <li>● Check for accidental double wrapping of thread on thread guides.</li> <li>● Check the thread mast, making sure the eyelet of the mast is directly over the cone.</li> <li>● Check the position of the thread cone. Tipped cones can dramatically affect thread tension and can cause breakage.</li> </ul>
<p>Debris in tension discs</p>	<ul style="list-style-type: none"> <li>● Inspect for particles and remove any fuzz or debris.</li> </ul>
<p>Bobbin rotation is not smooth</p>	<ul style="list-style-type: none"> <li>● Change the bobbin. The slightest hesitation of the bobbin rotation can be the cause of dramatic tension change and thread breakage.</li> </ul>
<p>Needle is burred, bent or dull, or installed incorrectly</p>	<ul style="list-style-type: none"> <li>● Change the needle at least once per quilt. Make sure the needle is installed to the top of the sight hole in the needle bar.</li> </ul>
<p>Needle not suitable for thread</p>	<ul style="list-style-type: none"> <li>● Replace the needle to one better suited for the thread. Use the proper size needle. Refer to chart in Machine Needle section.</li> </ul>
<p>Hesitating too long at one point in quilting motif</p>	<ul style="list-style-type: none"> <li>● Move more quickly so stitches don't overlap or build up. When starting the machine, begin moving immediately. Sewing in one place too long will cause the thread to break.</li> </ul>
<p>Improper needle/hook relationship</p>	<ul style="list-style-type: none"> <li>● Machine timing needs to be checked. Consult an authorized Handi Quilter technician.</li> </ul>

Damage or burr at needle hole of throat plate or other thread handling part	<ul style="list-style-type: none"> <li>● If thread is shredding at the throat plate, check for burrs or jagged edges. Gently rub with emery cloth to remove the sharp edge. Consult a repair technician to polish any hard-to-reach or delicate areas.</li> </ul>
Wrong type of needle	<ul style="list-style-type: none"> <li>● Use only the needles recommended by Handi Quilter (needle system 134, sizes 12 through 21).</li> </ul>
Other possible problems	<ul style="list-style-type: none"> <li>● Needle too close to hook, causing friction and possible collision of hook point and needle (causing broken thread).</li> <li>● Needle plate damage</li> <li>● Hook damage</li> <li>● Broken needles or damaged needle bar clamp</li> </ul>

 **NOTE:** If the troubleshooting tips do not eliminate the problem, please consult an authorized HQ retailer.

# Appendix 1

## *Federal Communications Commissions (FCC) Declaration of Conformity (For USA Only)*

Responsible Party: Handi Quilter, Inc.

501 North 400 West

North Salt Lake, UT 84054

declares that the product,

Product Name: Moxie XL

complies with Part 15 of the FCC Rules. Operation is subject to the following two conditions: (1) this device may not cause harmful interference, and (2) this device must accept any interference received, including interference that may cause undesired operation.

This equipment has been tested and found to comply with the limits for Class B digital device, pursuant to Part 15 of the FCC Rules. These limits are designed to provide reasonable protection against harmful interference in a residential installation. This equipment generates, uses, and can radiate radio frequency energy and, if not installed and used in accordance with the instructions, may cause harmful interference to radio communications. However, there is no guarantee that interference will not occur in a particular installation.

If this equipment does cause harmful interference to radio or television reception, which can be determined by turning the equipment off and on, the user is encouraged to try to correct the interference by one or more of the following measures:

- Reorient or relocate the receiving antenna.
- Increase the separation between the equipment and receiver.
- Consult the dealer or an experienced radio/TV technician for help.

Changes or modifications not expressly approved by the manufacturer or local sales distributor could void the user's authority to operate the equipment.

## *Canadian Department of Communications Compliance Statement (For Canada Only)*

This digital apparatus does not exceed the Class B limits for radio noise emission from digital apparatus as set out in the interference-causing equipment standard entitled "Digital Apparatus", ICES-003 of the Department of Communications.

## *Radio Interference (Other than USA and Canada)*

This machine complies with EN55022 (CISPR Publication 22) /Class B and AUS/NZ 55022/Class B.





501 North 400 West  
North Salt Lake, UT 84054  
801-292-7988 • 877-697-8458  
Email: [sales@HandiQuilter.com](mailto:sales@HandiQuilter.com)  
[www.HandiQuilter.com](http://www.HandiQuilter.com)

Warranty issues should, whenever possible, first be submitted to the Authorized Retailer who completed your service and training. These Retailers have been selected for their dedication to customer satisfaction and have been trained in technical service. They also may provide follow-up advice, training, service, accessories, and other services.

HQ Authorized Retailers may offer their own warranties in addition to those offered by the manufacturer, but do not obligate the manufacturer.

## HQ Quilting Machine Limited Warranty

Handi Quilter, Inc. (hereinafter HQ) offers a limited warranty on the HQ Quilting Machine (hereinafter “Machine”) to be free of defects in workmanship and materials under normal use upon the terms and conditions hereinafter set forth:

- (a) **90 day Limited Warranty:** During the first 90 days from date of purchase, HQ will repair any manufacturing defect without charge for parts or labor. All subsequent warranties include parts costs only.
- (b) **5-year Mechanical Warranty:** For any mechanical failure within this period. Manufacturer will provide free replacement parts, customer pays for labor and shipping.
- (c) **5-year Electronic/Electrical Warranty:** The electric/electronic components are warranted to be free from manufacturing defects for five years from the date of purchase. If any defect is reported within this period, manufacturer will provide free replacement parts, customer pays for labor and shipping.
- (d) **10-year Limited Manufacturer’s Warranty:** HQ warrants the sewing head is free of casting or machining imperfections causing product failure. This warranty does not extend to mechanical or electronic/electrical parts, which are covered under a separate warranty, or consequential damage to the head caused by mechanical or electronic/electrical part failures beyond their warranty period.

The limited warranty stated in sections (b), (c) and (d) above shall be limited solely to the replacement of parts which, in the opinion of HQ, are defective in workmanship or material and are returned to HQ, or an authorized repair facility, or such other point or place that may be designated by HQ. All other costs, including cost of freight and shipment for repair under this warranty, shall be the customer’s costs.

The machine registration card must be completed and received by HQ before warranty is valid.

Warranty Exclusions: HQ shall have no obligation for any claim under this warranty if the machine has been misused, abused, neglected, damaged in transit or has been altered from the standard specifications established by HQ, or if proper maintenance and lubrication have not been timely performed.

No warranties extend beyond the express warranty offered. HQ disclaims all other warranties,

express or implied, regarding the Products, including any implied warranties of merchantability or fitness for a particular purpose. In the United States, some laws do not allow the exclusion of the implied warranties.

Specific exclusions of warranty limitations include, but are not limited to, the following:

- General, consequential, incidental or special damages including damage to fabric or material, the cost of rework or lost profits, the cost of installation or removal of any Products, and any inspection, testing, or redesign caused by any defect or by the repair or replacement of Products arising from a defect in any Product.
- Products which are received by HQ improperly packaged, altered, or physically damaged.
- Counterfeit or altered label(s) or stickers.
- Broken pins on connectors.
- Stripped screws or nuts.
- Connector(s) damaged, cracked, missing or broken.
- Missing, torn or punctured seal(s).
- Any use besides machine quilting applications using customary fabrics, threads and accessories.
- Operator error in the customary use of the Product.
- Internal adjustments, tampering or parts replacement done by anyone except authorized Retailers or customers specifically authorized by Handi Quilter Customer Support or warranty repair personnel on a case by case basis.

The warranty does not cover and the user assumes the risk of and there is hereby excluded any liability to HQ for failure, defects, loss, deterioration, personal injury or damage which are due to: (1) ordinary wear and tear or exposure, (2) abuse, misuse, negligence, or (3) use of parts not authorized by HQ.

In no event shall HQ be liable to the purchaser of the Machine or to third parties for special or consequential damages, including, but not limited to, death or personal injuries.

HQ does not assume, or authorize any person to assume on its behalf, any other obligation of liability other than that set forth herein.

Some states do not allow exclusion of limitation of incidental or consequential damages, so above limitation or exclusion may not apply. This warranty gives the purchaser specific legal rights and the purchaser may also have other rights, which may vary for State to State.

**Exclusive Remedy:** Remedy is limited to the repair or replacement of the defective Product. HQ may elect which remedy or combination of remedies to provide at its sole discretion and shall have a reasonable time, after determining that a defective Product exists, to repair or replace the defective product. Replacement Product may be from new or serviceable used parts. HQ's warranty applies to repaired or replaced Products for the balance of the applicable period of the original warranty or ninety days from the date of shipment of a repaired or replaced Product, whichever is longer.

HQ's entire liability for any defective Product shall in no event exceed the purchase price for the defective Product. This limitation applies even if Handi Quilter cannot or does not repair or replace any defective Product.

Service under the above warranties may be obtained by returning the quilting machine, with proof of purchase, to the authorized Retailer from whom the machine was purchased, a local Retailer, or to Handi Quilter Customer Support.

**Any product to be returned to the factory, either by customers or Retailers, must be accompanied by a Return Material Authorization Number (RMA).** RMAs may be obtained by email (sales@HandiQuilter.com) or by calling customer support toll free at 1-877-697-8458. If it is determined that the Product may be defective, an RMA number will be issued with instructions for Product return. An unauthorized return (a return without an RMA number) will be shipped back to customer at customer's expense. Authorized returns are to be shipped prepaid and insured in an approved shipping container. The original box and packaging materials should be kept for storing or shipping.

**Shipping Costs:** Shipping is the responsibility of the customer.

**Product Service and Maintenance:** Replace needles every 2 to 4 hours (1 to 2 per large quilt) and lubricate bobbin hook every 3 to 4 hours of use. Periodically check the thread tensioner. Use a small brush to clean out all lint, loose thread or obstructions from the bobbin hook.

Servicing is recommended annually from a qualified Retailer. Servicing will cover belt tensioning, encoder positioning, bearing retainers, hook axial play and timing, presser and needle-bar adjustment and internal lubrication to take-up lever, hopping foot levers, bushings/bearings

**Handi Quilter, Inc.**

**Customer Relations**

**501 North 400 West**

**North Salt Lake, Utah 84054**

**This page was intentionally left blank.**

# Handi Quilter Warranty Registration

Mail or Fax completed Warranty Registration Card **within 30 days of purchase**. If you have questions, email [HQcares@HandiQuilter.com](mailto:HQcares@HandiQuilter.com) or call Customer Relations at 1-877-697-8458. Online warranty registration is also available at [HandiQuilter.com](http://HandiQuilter.com).

MAIL TO: Handi Quilter, Inc.  
Warranty Registration Dept.  
501 N 400 W  
North Salt Lake, Utah 84054

FAX TO: 801-294-3011

The HQ Quilting Machine warranty is 10 years manufacturer's warranty on casting and machining of the case, 5 years electronic/electrical, and 5 years mechanical. Check with your local HQ Retailer for details on service or making warranty claims.

HQ Quilting Machine Model (check one):  HQ Moxie™ XL  HQ Moxie™  HQ Simply Sixteen®  
 HQ Amara® ST  HQ Amara® 20  HQ Amara® 24  HQ Infinity®

Customer Name: \_\_\_\_\_

Company/Business Name (if applicable): \_\_\_\_\_

Address: \_\_\_\_\_

City, State, Zip: \_\_\_\_\_

Daytime Phone: \_\_\_\_\_ Evening Phone: \_\_\_\_\_

Fax: \_\_\_\_\_ Email: \_\_\_\_\_

HQ Serial Number: \_\_\_\_\_ Order Number (5 digits): \_\_\_\_\_

Purchase Date: \_\_\_\_\_ Date Machine Received: \_\_\_\_\_

Location of Purchase (Shop or Show name, City & State): \_\_\_\_\_

Type of use intended:  Home/Personal  Some commercial  Share w/Friends  Mostly commercial  
 Other \_\_\_\_\_

Type of machine-quilting skills:  Novice  Intermediate  Experienced

Skill at adjusting sewing machines:  Novice  Intermediate  Experienced

Signature: \_\_\_\_\_ Date: \_\_\_\_\_

Cut along dotted line and mail or fax this registration information within 30 days of purchase.

**This page was intentionally left blank.**

Cut along dotted line and mail or fax this registration information within 30 days of purchase.

# Moxie XL New Owner and Training Checklist and Certificate



You are entitled to a one-time free introductory training class on the use of your HQ quilting machine as well as free adjustments for 60 days and any repairs covered by the warranty. Present this checklist to your authorized HQ quilting machine Retailer to receive these free services.

## Retain a copy for your records.

### Frame

- How to adjust height
- How to change from Standard (High) setting to ClearView (Low) setting

### Machine Setup

- Identify the main parts of the machine
- Ensure machine is properly placed on the carriage
- Check all cable connections
- Ensure power outlet is available and does not cause a trip hazard
- Recommend and explain the importance of a power strip with surge protection
- Ensure the frame is level
- How to wind a bobbin (*including how to adjust the tension and the capacity*)
- How to load a quilt in both Standard (High) and ClearView (Low) setting

### Machine Operation

- How to turn the machine on and off
- How to change the needle
- How to change the Handi Feet
- How to properly thread the machine
- How to set the bobbin tension; teach the drop test
- How to set the upper tension
- How to bring up the bobbin thread
- How to tie off
- How to use the menus: explain each menu
- How to adjust lighting
- How to navigate the screens using the handlebar keys
- Explain stitch counters
- How to switch between stitch regulation and manual mode
- How to set the speed in manual mode

- How to set the stitches-per-inch in stitch regulation
- How to use Cruise stitch regulation
- How to use Precision stitch regulation
- How to use the handlebars
- Explain the over-speed alarm

### Machine Maintenance

- How to oil the bobbin hook: where, how, and when
- How to clean the bobbin hook area
- How to clean wheels and tracks

### IMPORTANT: Read before signing

By signing this training checklist you are acknowledge-ing you have been personally instruct in the operation of the Moxie XL machine you purchased. This HQ Retailer or any other HQ Retailer may charge for additional training.

**Customer Name** \_\_\_\_\_

**Customer Signature** \_\_\_\_\_

**Training Date** \_\_\_\_\_

**Trainer Name** \_\_\_\_\_

**Retailer Signature** \_\_\_\_\_

**HQ Retailer Business Name** \_\_\_\_\_

**Business City and State/Province** \_\_\_\_\_

**Machine Serial Number** \_\_\_\_\_

HQ Retailer: To register training services provided, return completed and signed certificate by FAX

(1-801-294-3011) or MAIL:

**Handi Quilter**

**501 North 400 West  
North Salt Lake, UT 84054**

OR email to your customer relations coordinator.

**This page was intentionally left blank.**